

Remote Control Instructions For

EWX124, ST1224, T41224, TR1224, TRP1224, WR1224

Contents:

- 1. Function and characteristics**
- 2. Main technical parameters**
- 3. Model classification and function introduction**
- 4. The flashing of the indicator light**
- 5. Receiver wiring diagram**
- 6. Precautions**
- 7. Maintenance and repair**
- 8-10. Instructions for TR1224 & TRP1224**
- 10. Trouble shooting**

1. Function and characteristics

(1) Function

Our wireless remote control is mainly used to replace the manual remote lead to operate an electric winch from longer/safer distance away from the winch.

(2) Characteristics

The remote control uses 2.4G wireless radio technology. Its features include easy to use settings, low power, automatic shutdown, stable performance, anti-interference capability.

2. Main technical parameters

- (1) Transmitter power: Powered by a single battery (9v or 12v)
- (2) Receiver operating voltage: 9V-36V
- (3) Remote control distance: 0-50m
- (4) Remote control angle: 0-360°
- (5) Frequency band range maximum & minimum:
433MHz:433.05-434.79MHz
2.4G:2.40-2.48GHz

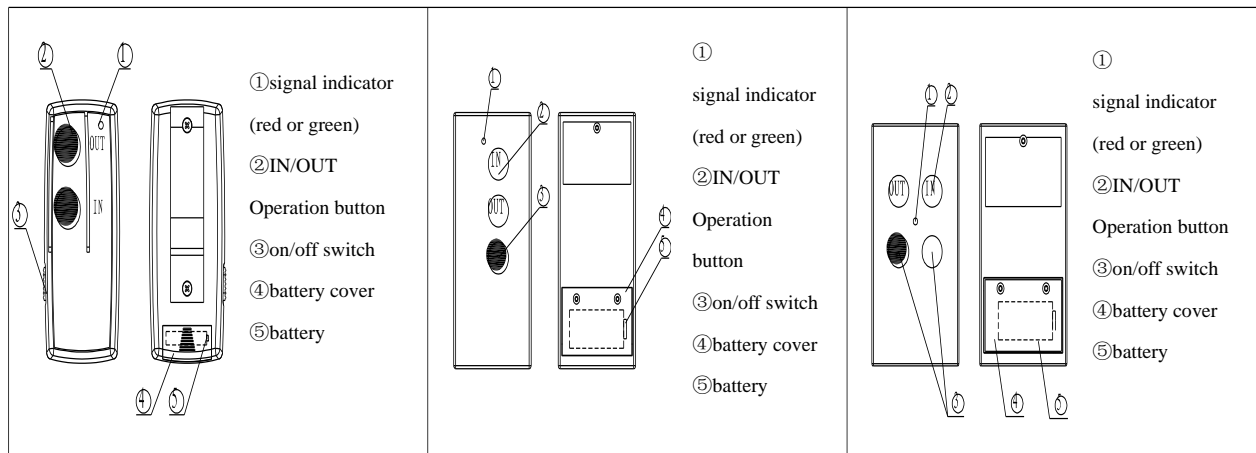
Normal operating conditions;

Temperature environment: $-40 \sim +45^{\circ}\text{C}$

Relative humidity: $\leq 95\%RH$ (25°C)

3. Model classification and function introduction

Model classification and function(transmitter)



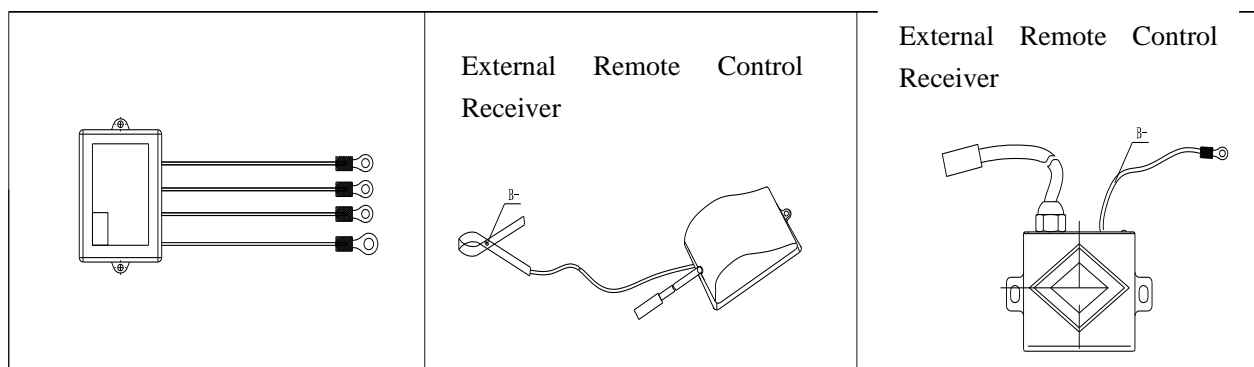
Instructions:

1. Install batteries into transmitter
2. Press/Slide the ON/OFF switch to ON position on the transmitter (handset).
3. The signal LED indicator flashes to indicate the status of the remote control and the electric winch.

Tips:

After use, please turn off the transmitter.

Model classification and function(receiver)



Instructions:

Connect up the receiver to the solenoid (see above illustration), then connect the power supply to the winch.

Tips:

- ① Once a connection is established, please connect the receivers earth to the nearest earth connection, (for better results earth to the battery negative terminal).
- ② When using an external receiver, if the electric control box socket is out of reach, the remote control receiver needs to be extended. If the electric control box socket is a 3 pin socket a 3 core cable is required. If the electric control box socket is 4 pin a 4 core cable is required.
- ③ The external receiver should be installed directly into the control box or socket (if 3pin or 4 Pin version). If the mounting clip or earth lead is attached, please connect the mounting clip to the

negative terminal of the power supply of the battery. **Note!!! DO NOT attached earth clip or lead to motor terminals or solenoid.**

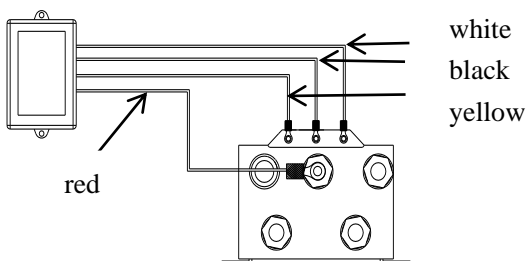
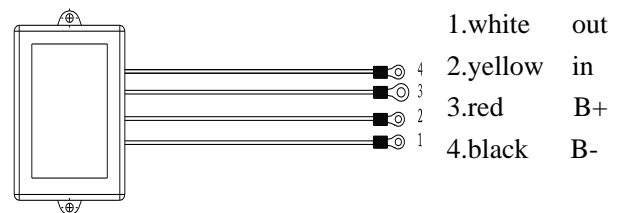
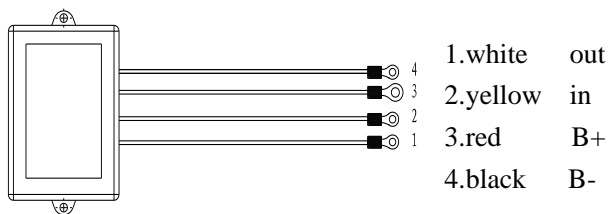
4. The flashing of the indicator light

Number	Flash mode	Fault	Solution
1	The light is red 1: 1 indicator	Signal disconnected or poorly received	Check surrounding Area or pairing
2	The light is red 2: 2 indicator	The transmitter battery is low	Change the battery in the transmitter
3	The light is red 3: 3 indicator	Mains battery power is low	Start the vehicle or check the mains battery Supply for voltage
4	The solid red LED light is on	the connection is completed or OK	it can be used normally
5	The solid green LED light is on	IN/OUT operating	

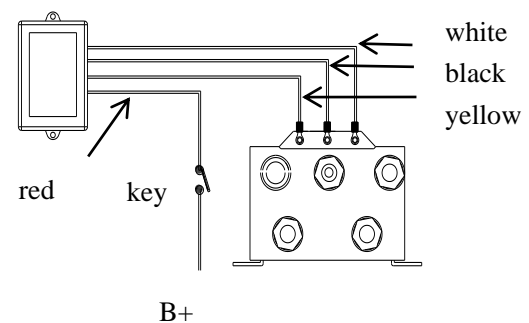
5. Receiver wiring diagram

(1) The remote control system is operated by the remote control transmitter and communicated via the receiver to control the winch direction in or out.

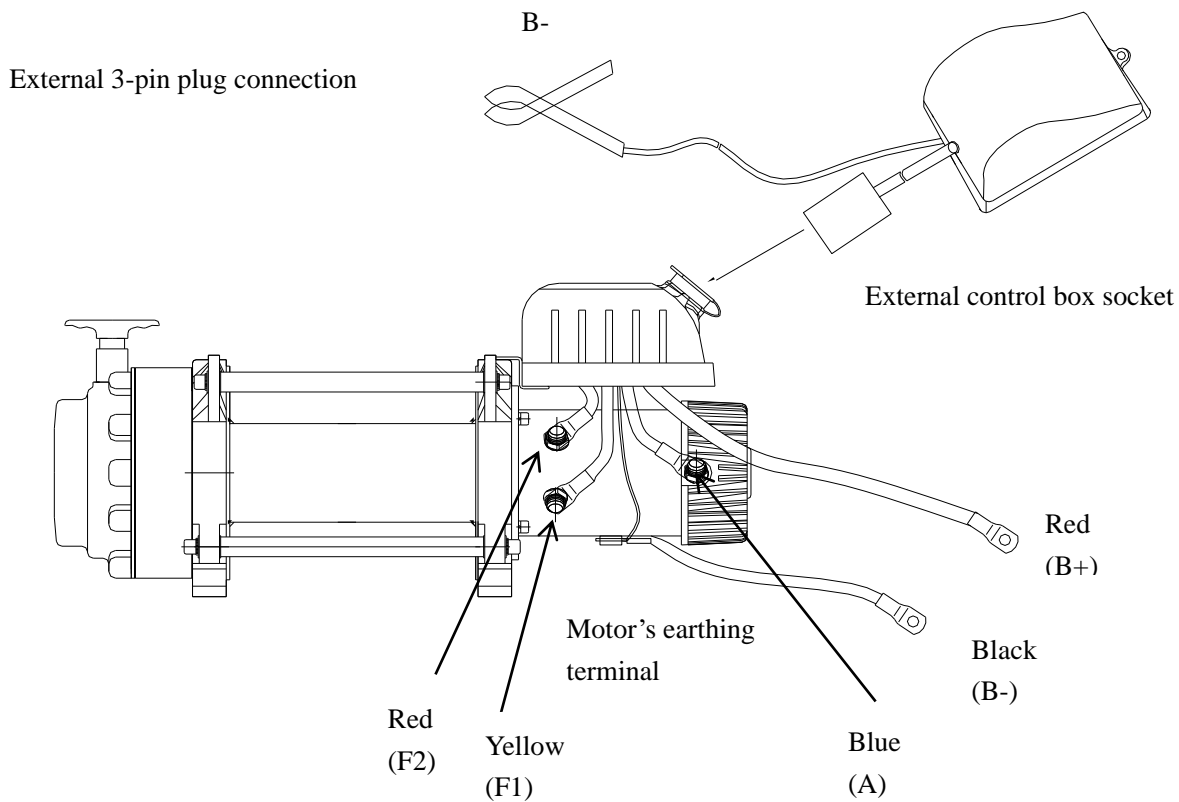
(2) wiring diagram:



Wiring one



Wiring two



6. Precautions:

- (1) After the transmitter is turned on, the red LED should illuminate. A continuous green light will illuminate when the IN / OUT buttons are pressed.
- (2) There is 1sec-3sec signal detection time when starting. If the winches main power supply fails or Transmitter exceeds the maximum distance the transmitter indicator red LED will regularly flash.
- (3) The maximum operating voltage of the remote control receiver is 36V, so please use a reasonable choice of power.
- (4) When installing and adjusting the winch, especially when finishing the wire rope, make sure that the transmitter power (handset) is turned off.
- (5) The transmitter and the receiver of the remote control are paired and cannot be interchanged unless the code is lost.
- (6) If you do not use the remote control for a long time, you should remove the battery from the transmitter. Replace the battery or replace if there is loss of power.

7. Maintenance and repair

7.1 When the transmitter (handset) is replaced with a similar or a second transmitter is required.

Please use this pairing method

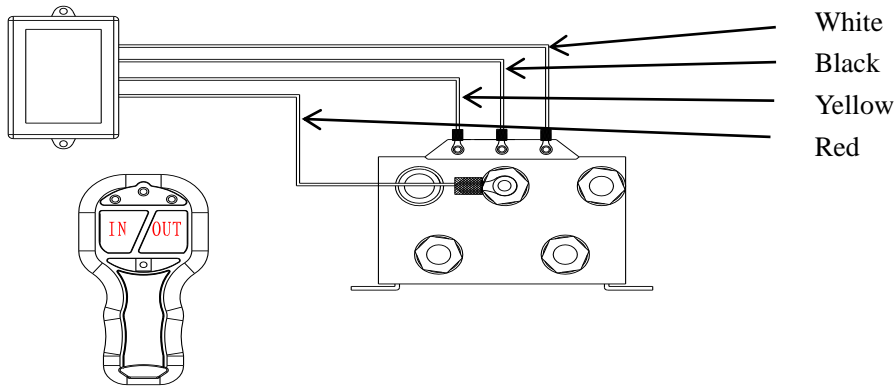
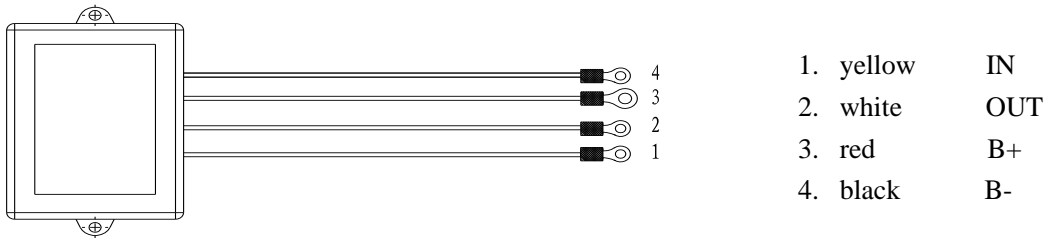
Pairing method:

1. Turn off power to both receiver and transmitter (handset)
2. Turn on power to transmitter (handset)
3. Press and hold IN and OUT buttons simultaneously
4. Turn on power to receiver
5. Release IN and OUT buttons
6. Solid red LED should illuminate
7. Press IN or OUT button
8. Solid green LED should illuminate
9. If red LED flashes repeat pairing process from Step 7.1

8. Working principle and wiring diagram For T41224, TR1224, & TRP1224

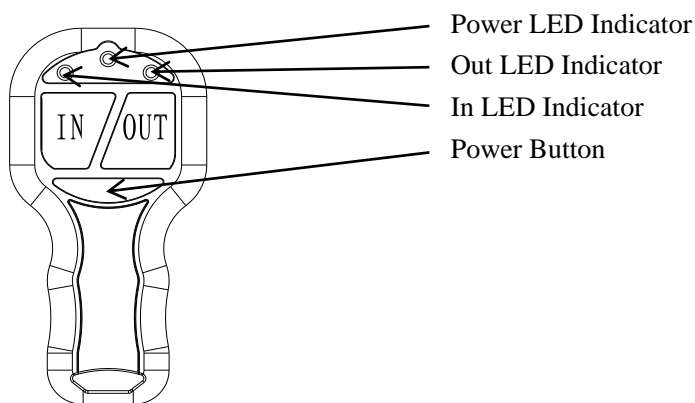
8.1 This remote control communicates the information from the transmitter to the receiver to control the winch direction in and out.

8.2 wiring diagram:



9. Using method and Precautions

9.1 Remote control transmitter function introduction



(1) Power button: Press 2sec-3sec, the power of the transmitter is turned on, and the solid blue power LED indicator will illuminate.

(2) Press the transmitter IN button and the RED LED indicator light illuminates;

(3) Press the transmitter OUT button, the GREEN LED indicator light illuminates.

9.2. Precautions:

- (1) After the transmitter is turned on, the blue led light illuminates. Red/Green led illuminates when the IN / OUT buttons are pressed;
- (2) There is 1sec-3sec signal detection time when starting. If the winches main power supply fails or Transmitter exceeds the maximum distance the transmitter indicator red LED will regularly flash;
- (3) The maximum operating voltage of remote control is 36V, so please use a reasonable choice of Power.
- (4) When installing and adjusting the winch, especially when finishing the wire rope, make sure that the transmitter power is turned off.;
- (5) The transmitter and receiver are paired and cannot be interchanged unless the code is lost;
- (6) If you do not use the transmitter for a long period of time, please remove the batteries.

Replace the battery if loss of power.

10. Maintenance and repair

10.1 When the transmitter is replaced, the same type of transmitter is required for pairing. The pairing method is as follows:

Pairing method:

1. Turn off power to both receiver and transmitter (handset)
2. Turn on power to transmitter (handset)
3. Press and hold IN and OUT buttons simultaneously
4. Turn on power to receiver
5. Release IN and OUT buttons
6. Solid red/green LED should flash simultaneously
7. After approx. 2-3s blue LED should turn solid
8. Press IN or OUT button
9. Solid red/green LED should illuminate
10. If red/blue LED flashes repeat pairing process from Step 10.1

11. Trouble Shooting

During use, if the red led flashes, the control system has detected a fault and needs to be looked in to. The reason for the problem is as follows:

- (1) The distance between the receiver and the transmitter is greater than the maximum stable distance; (reduce the distance between receiver and transmitter)
- (2) External environment may have an effect on the signal, if this happens or signal is lost between transmitter and receiver (use manual remote lead);
- (3) Possible short circuit in the electronic control box,(check inside electronic control box or vehicle power supply).
- (4) Replace transmitter battery
- (5) Receiver internal failure, replace the receiver and re-code;
(Pairing method according to 10.1 or 7.1)



Supplier: Winch Solutions Ltd, Unit 17/18 Bradley Hall Trad Est, Standish Wigan, WN6 0XQ,
United Kingdom

Certificate No.

UNIA2018120508EC-01-WSL

EC Declaration of Conformity

Equipment	Wireless Remote Set 2.4Ghz
Model	EWX124, WR1224, W41224, TR1224, TR41224, TRP1224, ST1224
Serial Number	WSL2400001-WSL2499999

In accordance with the following directives:

R&TTE	1995/5/EC
Radio Equipment Directive	2014/53/EU RED
EMC	2004/104/EEC ETSI EN301 489-1/-3
Radio	ETSI EN 300 440-2 ESTI EN 300 220 v1.1.1
Safety	Low Voltage Directive 2014/35/EU EN ISO 13849-1 2008, BS EN 60950-1
Health	EN 62479
Spectrum	2.40-2.48GHz, 433.05-434.79MHz

In accordance with Article(s):


Article Number	Standard	Document Number	Date of Issue
3.1 (a)	EN 62479	UNIA2018120508HR-01	12.12.2018
3.1 (a)	EN 60950-1	UNIA2018120508SR-01	12.12.2018
3.1 (b)	ETSI EN 301 489-1/-3	UNIA2018120508-1ER-01	12.12.2018
3.2	ETSI EN 300 440	UNIA2018120508-2ER-01	12.12.2018
3.2	ETSI EN 300 220	UNIA2018120508-3ER-01	12.12.2018

I hereby declare that the equipment named above has been designed and manufactured to comply with relevant sections of the above referenced specifications. The products comply with the essential requirements of the relevant directives and standards.

This certificate is only valid for the product(s) and configuration described in conjunction with details test data and with all applicable legal requirements of this product.

Date: 16/08/2019 15:28

Issuing Country: United Kingdom

X 
Paul Bimson
Technical Manager

Winch Solutions Ltd
Unit 17/18 Bradley Hall Trading Estate
Bradley Lane
Standish
Wigan
GREATER MANCHESTER
UK
WN6 0XQ

