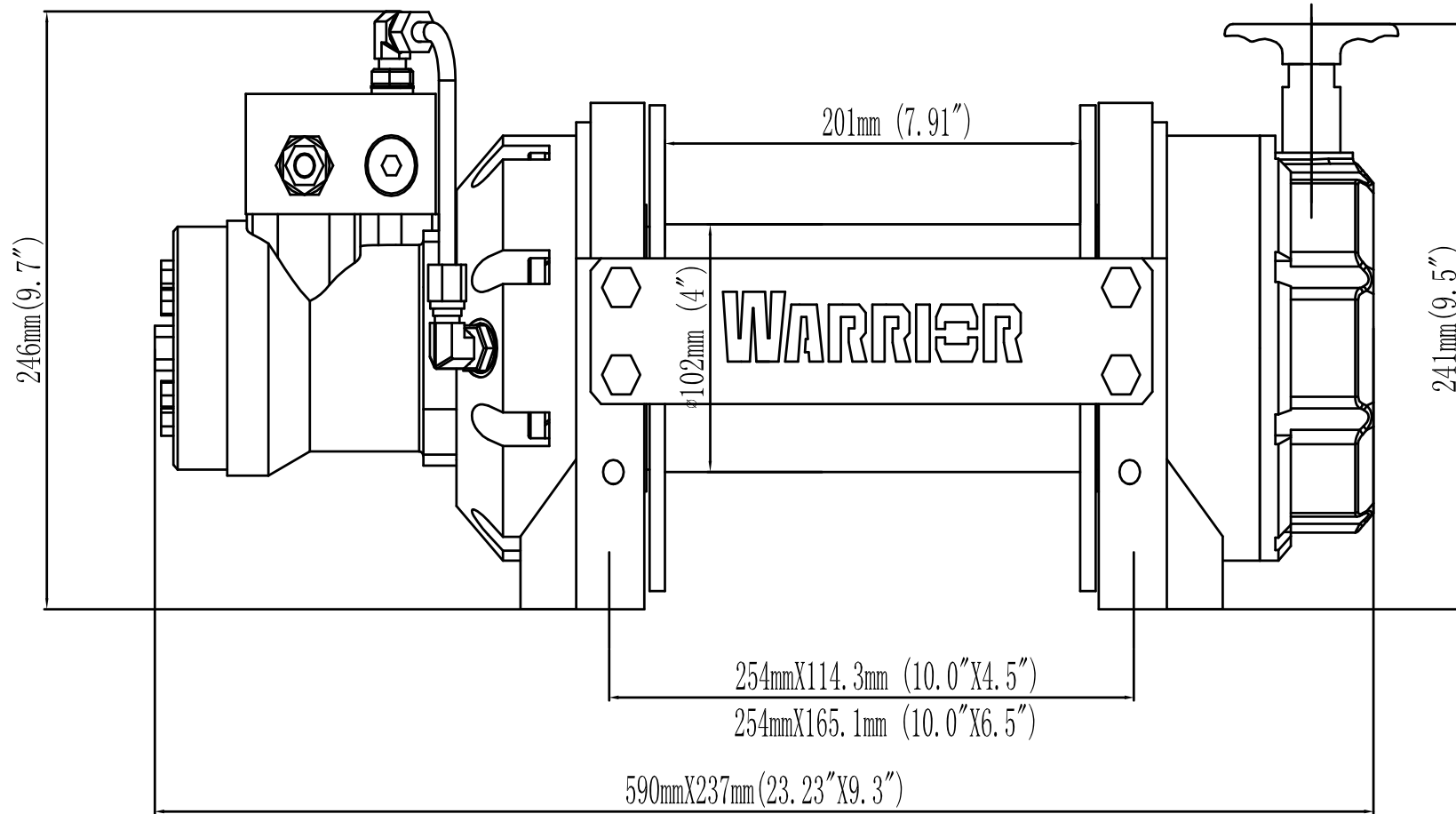




# RV 8000 WINCH TECHNICAL DRAWING



**VALUE WITHOUT COMPROMISE**