



## NH HYDRAULIC WINCH OWNERS MANUAL

### WINCH MODELS:

---

10NHSY, 15NHSY

ENGLISH

DEUTSCH

FRANÇAIS

POLSKI



Doc-rev 20230907

**SAVE THESE INSTRUCTIONS.** This manual contains important safety precautions which should be read and understood before operating the product. Failure to do so could result in serious injury. Specifications, descriptions and images in this manual are as accurate as known at the time of publication, but are subject to change without notice.

## INTRODUCTION

Congratulations on your purchase of a winch. We design and build winches to strict specifications and with proper use and maintenance your winch should bring you years of satisfying service.

Every effort has been made to ensure the accuracy and completeness of the information in this manual at the time of publication, and we reserve the right to change, alter and/or improve the product and this document at any time without prior notice.

## SAFETY DEFINITIONS

Your winch can develop tremendous pulling forces and if used unsafely or improperly could result in property damage, serious injury or death. Throughout this manual, you will find the following symbols for caution, warning and danger. Pay particular attention to the notes preceded by these symbols as they are written for your safety. Ultimately, safe operation of this device rests with you, the operator.

### DANGER

DANGER indicates a hazardous situation which, if not avoided, will result in death or serious injury.

### WARNING

WARNING indicates a hazardous situation which, if not avoided, could result in death or serious injury.

### CAUTION

CAUTION indicates a hazardous situation which, if not avoided, could result in minor or moderate injury.

### NOTICE

NOTICE indicates information considered important, but not hazard-related (e.g., messages relating to property damage).

## GETTING TO KNOW YOUR WINCH

Your winch is a powerful piece of machinery. It is important that you understand the basics of its operation and specifications so that when you need to use it, you can use it with confidence and safety. Below is a list of the components of your winch and their uses.

1. This winch is engineered for maximum line pull with only one layer of cable spooled onto the winch drum (the first layer).
2. Motor: The motor is powered by hydraulic fluid and provides power to the gear assembly which turns the drum and winds the wire rope in either direction.
3. Winch Drum: The winch drum is the cylinder on which the wire rope is stored. It can be spooled In or Out by use of the remote lead switch.
4. Wire Rope: Your winch has a galvanized aircraft cable designed specifically for load capacity of the rated line pull of this winch. The wire rope feeds on from underneath the drum position, it is looped at one end to accept the hook.
5. Fairlead (Included): For when using the winch at an angle the roller fairlead acts to guide the rope onto the drum evenly and minimizes damage to the rope or winch from abrasion.
6. Gear Assembly System: The reduction gears convert the winch motor power into extreme pulling forces.
7. Braking System: Braking action is automatically applied to the winch when the winch motor is stopped or there is a load on the wire rope. This is achieved by a separate external mechanical brake which applies the braking action. (Brakes are NOT designed as securing devices and the winch cables should never be left attached when vehicle / equipment is in transport).
8. Free Spooling Clutch: The clutch allows the operator to manually disengage ("CLUTCH OUT") the spooling drum from the gear train. This is called free spool. Engaging the clutch ("CLUTCH IN") locks the winch into the gear system.
9. Universal Flat Bed Mounting Channel: (Optional) Your winch could have been optionally supplied with a flat bed mounting channel that can be mounted to most flat surfaces such as trailers, truck beds and structures etc. The mounting channel also has a number of mounting holes and holes to accept your roller fairlead.
10. Pulley/Snatch Block: (Optional) If your winch is supplied with a pulley/snatch block which can double the pulling power of the winch, or change the pulling direction without damaging the wire rope. We recommend you to use a double line and snatch block for pulling over 70% of the rated line pull.

## IMPORTANT SAFETY INSTRUCTIONS

### DANGER

DO NOT EXCEED RATED CAPACITY.

#### INTERMITTENT USE ONLY - COOL BETWEEN USES.

**DO NOT** use winch for lifting/moving people or live animals.

A minimum of five wraps of cable around the drum barrel is necessary for pulling and holding the rated load. The cable clamp is not designed to hold the load without the 5 wraps of cable around the drum. (usually marked red on the drum end of the cable)

### DANGER

Keep yourself and others a **SAFE DISTANCE** to the side of the cable when under tension.

**NEVER** stand or step over a cable, or near a cable under load using a winch blanket or sail is strongly recommended.

**DON'T** move the vehicle to pull a load (towing) on the winch cable. This could result in cable breakage.

### DANGER

**DO NOT** exceed maximum pull rating. Avoid "shock loading" by using the remote lead switch intermittently to take up the slack in the wire rope. "Shock loading" can far exceed the rated capacity for the wire rope and drum and will result in damaging winch and brake. By doing so will void any warranty.

### DANGER

**DO NOT** use you winch as securing device it is not designed for this and will result in damaging winch and brake and will void any warranty.

**DO NOT** exceed maximum line pull ratings shown on the tables.

**DO NOT** use as a hoist. Do not use for overhead lifting.

### DANGER

**NEVER** cut, weld, or modify any part of the winch or cable. By doing so will void any warranty

### DANGER

**When re-spooling the cable** Ensure that the cable spools in the under-wind position with the cable entering the drum from the bottom, not the top. To re-spool correctly, and while wearing gloves, keep a slight tension on the cable while pushing the remote control button to draw in the cable. Walk toward the winch **NEVER** allowing the winch cable to slide through your fingers or hands.

**DO NOT** let your hands get within 12"(30cm) of the winch while re-spooling. Turn off the winch and repeat the procedure until a few feet of cable is left. Disconnect the remote control and finish spooling by hand by rotating the drum manually with the clutch disengaged. Keep hands clear of the fairlead and drum while the winch is under power.

### DANGER

Failure to read and understand these warnings may result in personal injury and/or property damage.

Always use gloves to protect hands when handling any type of cable/rope. Never let the cable slide through your hands.

**NEVER** connect the cable back to itself.

Always apply blocks/chocks/straps to the wheels of the vehicle/equipment when on an incline and in transportation.

No modifications, alterations, or deviation to the winch are authorized by the manufacturer and **MUST NOT** be made. By doing so will void any warranty.

Duration of winching pulls should be kept as short as possible. If the motor becomes uncomfortably hot to the touch, stop winching immediately and let it cool down for approx 8 mins minutes. Do not winch for more than two minutes at or near the maximum rated load without resting for 8 minutes.

### DANGER

If the motor stalls **DO NOT** maintain winching. Winches are designed and made for intermittent use and should be used in conjunction with their duty cycles.

**NEVER** release the free-spool clutch when there is a load on the winch as the load will roll backwards.

Use hand saver hook when handling the hook for spooling or unspooling the wire rope.

### NOTICE

The winch and its all-derivative types are rated at rated capacity when spooling the first rope layer on the drum. Overloading can damage the winch / motor / or wire rope.

For loads over 70% of rated line pull, we recommend the use of the pulley block / snatch block to double the wire rope line and reduce the strain. This will aid in two ways:

It will reduce the number of rope layers on the drum and reduce the load on the wire rope by as much as 50%. When doubling the lineback to the vehicle, always attach to the frame or another load bearing point..

**NOTICE**

The vehicle engine should always be kept running during winching operation to minimize battery drain and maximize power and speed of the winch. If the winch is used for a considerable amount of time with the engine switched off the battery will drain and be too weak to restart the vehicle engine. If this happens stop winching immediately, jump start the vehicle and charge the battery up before resuming winching operation.

**NOTICE**

Get to know your winch before you need to use it. We recommend that you set up a few test runs to familiarize yourself with rigging techniques; the sounds your winch makes under various loads and the way the cable spools on the drum, etc.

INSPECT the wire rope and equipment before each use. A frayed or damaged rope must be replaced immediately. Use only manufacturer's identical replacement rope with the exact specifications. (Ropes are not covered by any warranty offered)

INSPECT the winch installation and bolts to ensure that all bolts are tight before each operation or periodically.

**NOTICE**

Store the remote control lead inside your vehicle or in a safe place.

Never connect the winch cable back to itself. This will cause cable to damage. Always use a pulley, snatch block, sling or chain of suitable strength as shown in the illustrations.

**NOTICE**

Any winch that appears to be faulty, damaged, worn, or operates abnormally **MUST BE REMOVED FROM SERVICE UNTIL REPAIRED, REPLACED OR OVERHAULED**. It is recommended that the necessary repairs **ARE** made by a manufacturer's authorized repair facility **ONLY**.

**NOTICE**

Pull only on areas of the vehicle as specified by the vehicle manufacturer.

- Only accessories, attachments and/or adapters supplied by the manufacturer shall be used.

**CAUTION**

When using the tool, basic safety precautions should always be followed to reduce the risk of personal injury and damage to the equipment. Read all these instructions before using this tool!

**WARNING**

Keep children away. Children must never be allowed in the work area. Do not let them handle machines, tools, extension cords or operate this tool.

**WARNING**

Store idle equipment. When not in use, tools must be stored in a dry location to inhibit rust. Always lock up tools and keep out of reach of children.

**CAUTION**

Dress properly. Do not wear loose clothing or jewelry as they can be caught in moving parts. Protective, electrically non-conductive clothes and non-skid footwear are recommended when working. Wear restrictive hair covering to contain long hair.

**WARNING**

Use eye and ear protection. Always wear impact safety goggles. Wear a full-face shield if you are producing metal filings or wood chips. Wear a dust mask or respirator when working around metal, wood, and chemical dusts, and mists.

**CAUTION**

Maintain this winch with care. Keep this tool dry and clean for better and safer performance. Follow instructions for lubricating and changing accessories. Inspect winch rope periodically and, if damaged, have them replaced immediately by an authorized technician. The handles must be kept clean, dry, and free from oil and grease always.

Disconnect or unplug remote switch when not in use.

**DANGER**

Stay alert, watch what you are doing, use common sense. Do not operate any tool when you are tired.

**WARNING**

**Check for damaged parts.** Before using this winch, any parts that appear worn or damaged should be carefully checked to determine that it will operate properly and perform to its intended function. Check for damage including alignments, binding of moving parts; mounting fixtures. Any part that is damaged should be properly repaired or replaced by a qualified person. Do not use the tool if any switch does not turn "On" and "Off" properly.

**⚠ WARNING**

**Replacement parts and accessories.** When repairing or servicing, only use identical replacement parts. The use of any other parts will void the warranty.

**⚠ WARNING**

**Do not operate tool if under the influence of alcohol or drugs.** Read warning labels on prescription to determine if your judgment or reflexes are impaired while taking drugs. If there is any doubt, do not operate the tool.

**⚠ DANGER**

Keep hands and body away from Fairlead (cable intake slot) when operating.

Always secure vehicle in position before using winch.

**⚠ WARNING**

Be certain the winch is properly bolted to a structure (or vehicle) that can hold the winches maximum rated load.

Do not use inappropriate attachments to extend the length of the winch cable.

**⚠ DANGER**

Never lift people or hoist loads over people or lift live animals.

Never come in between the winch and the load when operating.

**⚠ WARNING**

Do not apply any loads to the winch when cable is fully extended past the safety mark. Keep at least 5 full wraps of cable on the spool, (Usually marked red on the winch cable at the drum end.)

After moving any piece of equipment with the winch, secure the the equipment in place. Do not rely on the winch to hold for an extended period of time nor whilst in transport, winches are not securing device, By doing so will void any warranty

**⚠ CAUTION**

Examine winch before using. Components may be affected by exposure to chemicals, salts, and rust.

Do not cross over or go underneath winch cable when under load.

Use gloves while handling cable.

**⚠ WARNING**

Never operate winch if cable shows any signs of weakening, such as knotting or kinking. If it does you must replace immediately.

**⚠ DANGER**

Do not move your vehicle with the cable extended and attached to the load. You could easily exceed the winch rating and snap the cable.

When the vehicle is parked on an incline you should use wheel chocks.

**⚠ CAUTION**

Always re-spool cable neatly after any operation this will avoid any winch cable misalignment for the next use

**⚠ CAUTION**

The winch cable must be wound onto the drum under a load of at least 10% of the rated line pull or the outer wraps will draw into inner wraps and damage winch cable.

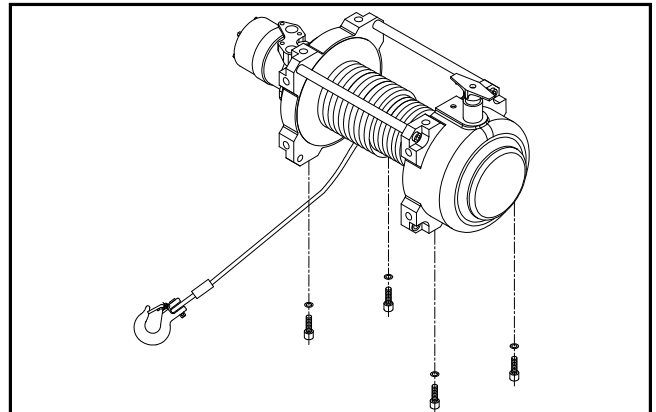
Before operating the winch under load you should check proper function of the winch by engaging and disengaging the clutch, by operating the directional controls, and operating the speed controls. This will ensure that the winch is working properly and will help prevent unintended damage and injury. Cycling the winch prior to loading will also ensure the gears are properly aligned.

**⚠ CAUTION**

Batteries contain gases which are flammable and explosive. Wear eye protection during installation and remove all jewelry. Do not lean over battery while making connections.

**WINCH ASSEMBLY AND MOUNTING**

- **Installing:** Your new winch is designed with a bolt pattern that is standard in this class of winch. A winch mounting kit may be available that utilizes this bolt pattern. If you cannot find a kit locally, you may have to have one engineered, contact a local engineering company. If you utilize a mounting channel, you must ensure that it is mounted on a flat surface so that the three major sections (motor, drum and gear housing) are properly aligned. Improper alignment of the winch will cause uneven distribution of load and damage the winch or equipment. Mount the winch to the vehicle using high tensile steel bolts. It should be aligned and secured to a solid part of the vehicle (front or rear) where the full rated load will be evenly distributed without causing damage to vehicle or equipment.
- **Mounting The Balance Valve:** The balance valve supplied is simply connected to motor. Be sure the balance valve's installing direction meets hydraulic principle chart. Otherwise, the winch will not reach the rated line pull, and it is also dangerous for winch to power off the cable with heavy load. If this symptom happens, simply disconnect the balance valve: exchange the oil hole between hydraulic motor and balance valve, while your winch is working in different direction ,change A→C1,B→C2 into A→C2,B→C1.And reconnect it. If your order demand the balance valve should be supplied, it will have been connected with the motor at the factory.
- **Plumbing Connections:** Keep all hoses away from any areas where heat may be considered too extreme such as an exhaust, turbo or any moving parts. Lines should not be allowed to rub on any rotating, abrasive, or vibrating surfaces. In some applications, 90°fittings on the directional valve and motor or balance valve are necessary to make hose mounting more flexible. After plumbing has been laid out on vehicle, install O-ring seals to valves and connections.. Torque tight. Do not over tighten any fittings. Install O-ring seals on Winch Motor. Torque tight. Connect any hose port A on motor or port V1 on balance valve to port A on directional valve, port B on motor or port V2 on balance valve to port B on directional valve, port P on directional valve to pump's high-pressure port, port T on valve to reservoir, if necessary Connect any hose port on valve to steering box. Attach any O-ring or seal from vehicles original tube fitting to tube fitting..

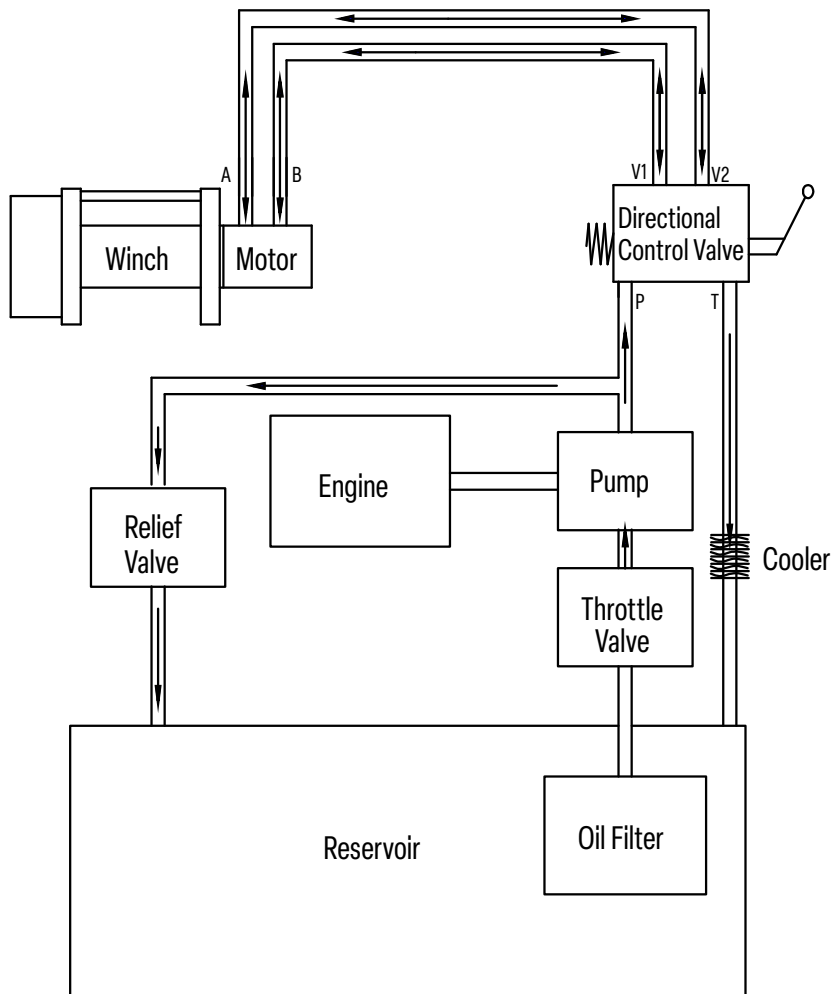
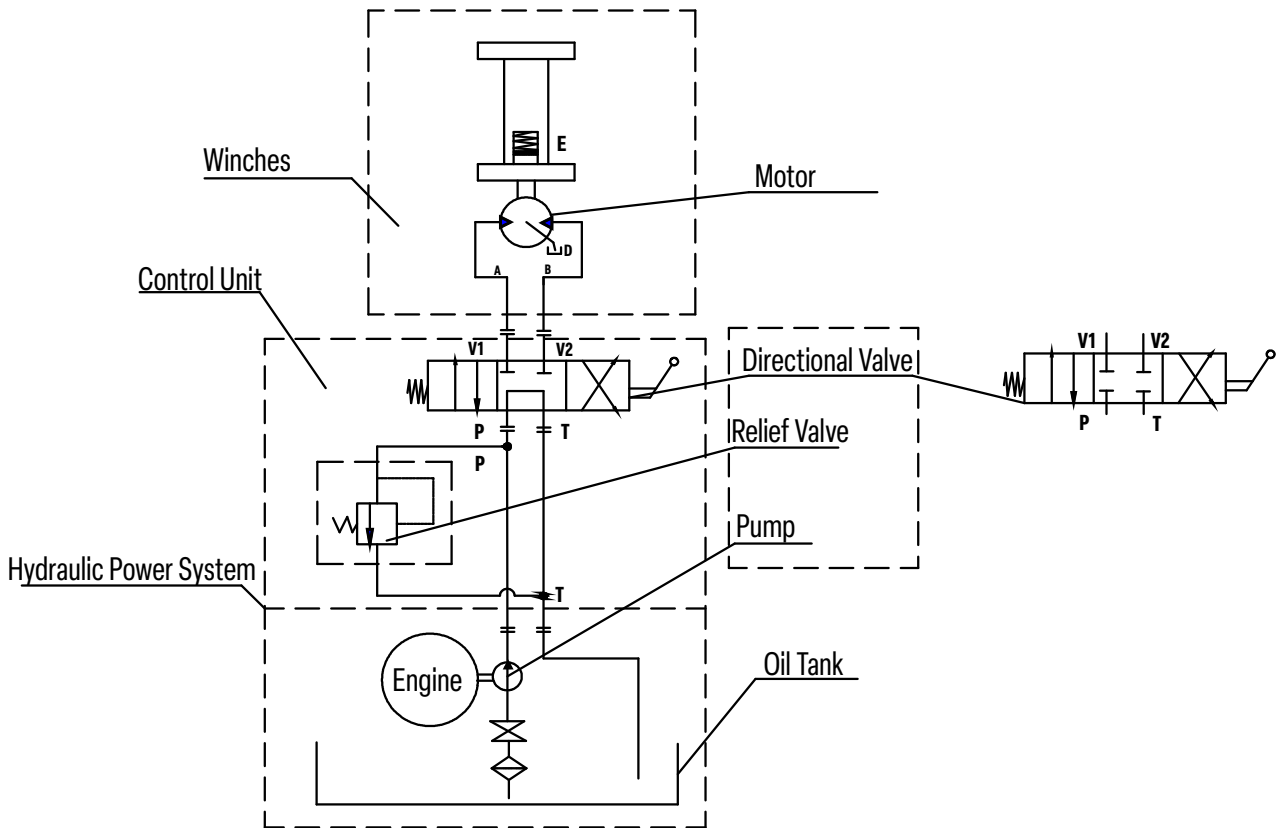
**HYDRAULIC PRINCIPAL CHART AND INSTALLATION:**

The hydraulic system should be purged at this time. Listed below are the directions on how to purge the hydraulic system.

**how to purge the hydraulic system.**

1. Start the engine.
2. Power the winch to draw out about 5 feet of cable.
3. Shut down the engine.
4. Check the fluid level and fill as needed.
5. Repeat steps 1 through 4 as necessary.
6. Start the engine.
7. Move the cable into the desired position.
8. Turn the wheels on the vehicle from the right lock to the left lock positions five times to help bleed the hydraulic system.
9. If the hand control unit is working backwards, simple exchange the brown and the white wire connections within the valve.

Test the winch for proper operation. Refer to the Operation section.



EN

## OPERATION

### ⚠️ WARNING

1. Make sure clutch is totally engaged before starting any winch operation
2. Stay clear and away from raised loads
3. Stay clear of cable while pulling do not try to guide cable
4. A min. of 5 wraps of cable around the drum barrel

### General information

The Winch's standard equipments contain gear reducer, drum hydraulic motor, solenoid valve, switch assembly, female connector and plumbing fittings. The winch obtains its pressure from the vehicle's existing power steering pump or other hydraulic power. The winch is totally sealed, can be used underwater.

There are several other ways to supply power to the winch. The first way is to use an individual pump for engineering use. The second way is to provide the winch's hydraulic pressure is with the vehicle's exiting power steering pump (See Installation Instructions).

- Use a suitable individual pump, which doesn't have an oil pressure relief valve. It will supply pressure for both the steering box and the winch.
- Use a combined pump with an integrated oil valve. The oil valve will supply two kinds of flow based on the difference in demand. One type of flow will be constant and should be used with the steering system. The other will provide higher pressure and is for engineering use.

### ⚠️ CAUTION

Hydraulic system needs an relief valve to make sure the system is safe; If there is not relief valve in the system; it would be serious danger and the system can't operation. If your winch driven by an existing hydraulic power system, the relief valve is also existing.

### Winch working demonstration:

1. Disengage the clutch by turning the clutch to the "CLUTCH OUT" position.
2. Grab the cable assembly and pull the cable to the desired length, then attach to item being pulled.

### ⚠️ CAUTION

Always leave at least five turns of cable on the drum. Review Winch Safety Warnings and Precautions, before continuing.

3. Reengage the clutch by turning the clutch assembly to the "CLUTCH IN" position as needed.
4. Test-run winch in both directions. Turn the winch in each direction for about one or two seconds meantime make the clutch totally engaged automatically.
5. While standing aside of the tow path, hold and operate the switch assembly supplied by your choice. Wait until the motor stops before reversing directions.

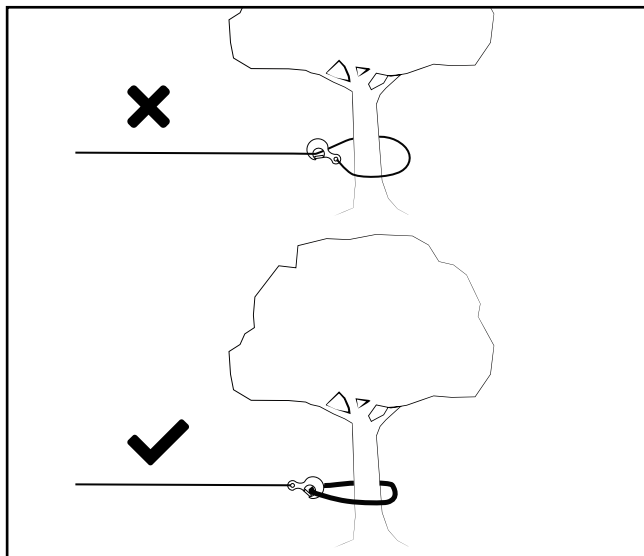
## RIGGING TECHNIQUES

Locate a suitable anchor such as a strong tree trunk or boulder.

ALWAYS use a sling or strap as an anchor point on a object, Never use the cable or hook as an anchor point attached to an object.

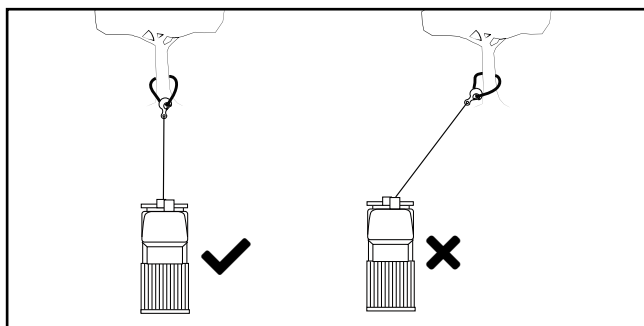
### ⚠️ CAUTION

NEVER attach the clevis hook back onto the winch cable as this could cause damage to the cable.



### ⚠️ CAUTION

Do not winch from an acute angle as the wire rope will bind up on one side of the drum causing damage to wire rope (Bird Nesting) and cause major damage to winch and possible equipment.



### 🗨️ NOTICE

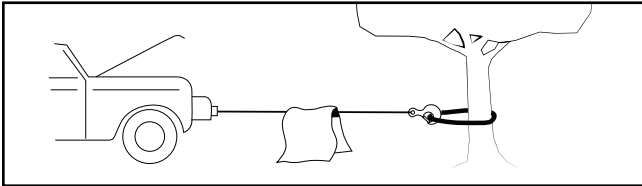
Short pulls from an angle can be used to straighten the vehicle/ equipment. Long pulls should be done with the wire rope in a straight line to winch/vehicle, see above illustration.



**CAUTION**

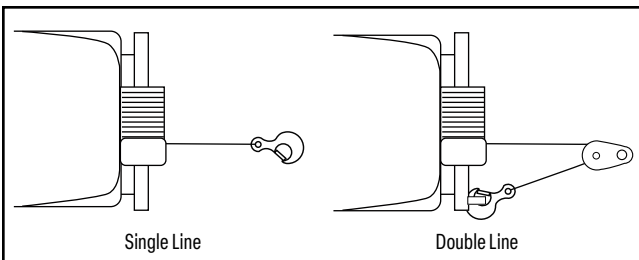
When pulling a heavy load, place a blanket or jacket over the wire rope five or six feet from the hook because in the event of a broken cable it will dampen the force.

For additional protection open the hood/bonnet of the vehicle as shown.



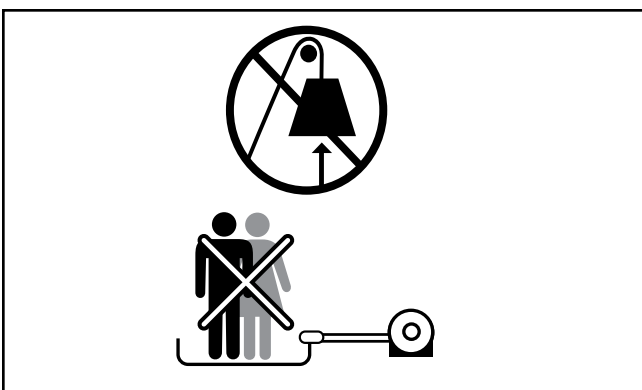
**NOTICE**

For pulls over 70% rated line pull, we recommend the use of the snatch/pulley block to double line the wire rope. This reduces the load on the winch and the strain on the rope.



**DANGER**

Never use your winch for overhead hoisting, lifting of people, moving people or moving of live animals.



**MAINTENANCE**

**LUBRICATION:**

- All moving parts within the Winch having been Lubricated using high temperature lithium grease at the factory. No internal lubrication is required.
- Lubricate Cable Assembly periodically using a light penetrating oil.

**CABLE ASSEMBLY REPLACEMENT**

If the wire rope has become worn or is beginning to show signs of strands breaking, it must be replaced before being used again.

1. Turning clutch to the "CLUTCH OUT" position.
2. Extend cable assembly to its full length. Note how the existing cable is connected to the drum.
3. Remove old cable assembly and attach new one as the 1d cable connected to the drum. Insert the end of the new rope and secure the screw being tightly screwed
4. Turning clutch to the "CLUTCH IN" position.
5. Retract cable assembly onto drum, first five wraps being careful not to allow kinking, then winch cable must be wound onto the drum under a load of at least 10% rated line pull.

**WARNING**

Only replace the wire rope with the identical replacement part recommended by the manufacturer. Ropes are not part of any warranty offered and the sole responsibility of the operate / user to maintain or change.

## MAINTENANCE PRECAUTIONS

1. Correct use of the hydraulic winch can effectively increase the life of the winch by many years.
2. We strongly recommend spring washers are used with mounting bolts. Mounting bolts and wire rope must be inspected for looseness regularly, if found to be loose always tighten before using the winch.
3. Re-spooling or changing the wire rope: Using the selector valve, spool the drum into a suitable position, remove or feed the wire rope into the hole on the edge of the drum. Insert steel plate and screws and tighten. Start the winch, using minimum load spool in the wire rope making it neat and tidy.
4. Pay attention to the wire ropes orientation on the drum reel. If the rope is kinked, frayed or damaged in any way it **MUST** be replaced immediately with a OEM part, if not replaced with an original this will void any warranty.
5. During normal working, the pulling force must be equal or less than the rated capacity. Overloading the winch capacity, is not allowed. The maximum pulling force of the winch, is around 1.25 times of its rated capacity, if exceeded will cause damage to the winch and(or) equipment or serious injury. By doing so will void any warranty.
6. The opening pressure of the balancing valve must be 0.1-0.4Mpa higher than the brake, or the winch will shake when lowering it down. Our company has tested hoisting and adjusted balancing valves for every winch before it leaves the factory. Therefore, there is no need for users/operator to adjust it at all, But if there are special cases where the users need to adjust it, the users can spiral the adjusting screw outward, thus making the opening pressure higher, Never try to adjust the balance valve yourself use a specialist person or service agent.
7. If there is an abnormal pressure increase in the system, the users must stop using the winch immediately. Check if there is leakage of the oil, and if the hydraulic motor is normal. Usually, when hydraulic motor works under the load, the leaked oil from the pipe must not surpass 1m/m. Plenty of leakage demonstrates a damaged hydraulic motor, which must be repaired or replaced immediately. Or, if the hydraulic motor is in good condition, check other parts inside the system.
8. Check the operation of the hydraulic winch and its systems regularly during the work or weekly. In case of abnormal temperature rise, leakage, abnormal noise and vibration or pressure fluctuation, the user should stop the winch immediately to check the causes and overhaul it.
9. Pay attention to the tank's oil and its level. If there is much foam, the users should stop immediately to check whether air leaks from the oil inlet of hydraulic system, the return oil port below the water, and whether hydraulic oil is emulsified by the entrance of the water.
10. If the winch is showing signs of degraded performance change the hydraulic oil. Do Not mix old and new oil always replace all.
11. Put 90 # gear oil into the winch speed reducer before using it and replace the oil after 100 accumulated working hours. First remove the screw plugs on the drum, then slowly roll the drum to make drum block hole aim at the block hole on the planetary gear reducer. Carefully take the plug out with an Allen Key. Drain all the used oil and add the new oil. Tighten each and every plug.
12. Regularly check the oil filter, which should be cleaned and replaced regularly.
13. Standing under the winch hook is strictly prohibited.

## Overhaul

When the hydraulic winch doesn't work or has malfunctioned is confirmed, the operator/user can check and repair if qualified to do so. In instances where user is not able to do this, then do not dismantle or repair. Contact a professional repair specialist to overhaul. Be careful when dismantling this hydraulic winch that you don't make scratches or indentations on precision parts, especially to surfaces of moving and seal parts. Repair or replace damaged parts immediately. Before assembling, all parts must be cleaned, and coated with lithium grease (If applicable)

## Lifting

These winches are not recommended to be used for lifting, if you use your winch for hoisting (lifting) then you need to implement a safety factor 5:1. Ensure when using for lifting there is a minimum of 1 layer on the drum at any time and pay attention to fixations and drum capacity.

## Storage

The Hydraulic winch should be stored in the warehouse where the air is dry and no corrosive gas. Do not put it under high temperature 50°C or at a -20°C environment for long-term storage, in case the aging of sealing parts are accelerated.

If the Hydraulic winch is in a long-term storage, the user should drain all the oil from it, and fill the machine fully with Turbine Oil with a low acid value.

## TROUBLESHOOTING

Problem	Cause	Solution
Winch does not does not turn	Insufficiently hydraulic system pressure.	Check relief valve regulate pressure.
	Improper connections of hydraulic system, no oil into motor.	Check all the plumbing fixtures according to the working principle chart.
		Defective directional control valve.
Motor runs but drum does not turn	Clutch not engaged	Turn clutch to the High or Low speed position. If problem persists, ask a technician to check and repair.
Motor runs slowly or without normal power	Insufficient pressure or oil flow	Bump is not suitable or defective. Change a new one or a suitable one
	Insufficient fluid in the system	Check fluid level. Add fluid until full.
	Wrong winch working direction.	Change the connection of balance valve and motor.
Winch cannot spool off wire rope with load smoothly.	Wrong winch working direction.	Change the connection of balance valve and motor.

EN

## WARRANTY\*

**BPE Limited are the sole distributors of these WARRIOR WINCHES and associated brands/equipment.**

BPE Limited (“seller” or BPE) warrants to the original retail buyer only (“Buyer”) that any mechanical component of this genuine winch (“product(s)”) are free of defects in material and workmanship for the lifetime of the winch.

The electrical components (including the motor, contactor, and switches) will be free of defects in material and workmanship for a period of (3) three years (36 Months) from the original purchase provable date of purchase

Any product BPE Limited determines to be defective will be repaired or replaced at our (BPE Limited) sole discretion without charge to the Buyer upon Buyer’s compliance with this procedure. Seller or its Authorized Agent may make reasonable charges for parts and(or) labour for repairs not covered by this Lifetime Limited Warranty. None warrantable returns will be charged at BPE Limited standard rates. The warranties set forth herein are exclusive and in lieu of all other warranties, whether oral or written, express or implied.

### If in the event your product becomes faulty within your warranty period

To obtain service or repair under this warranty, the Buyer shall mail, ship or otherwise deliver to the manufacturers address, at the Buyers expense; (1) the Product, (2) a written description of the problem, (3) Buyers name, address and contact number, (4) copy of the original purchase receipt or BPE Limited can arrange a suitable collection method (Charges apply).

## Warranty Exclusions

The Warranty does not cover the cost of labour or transportation/shipping charges for the replacement or installation of defective part(s).

This warranty does not apply to defects of the Product caused by; (1) normal wear and tear, (2) failure to comply with any installation, maintenance or subjecting the product to loads in excess of the loads written/listed in the owners manual or as detailed upon the Sellers website, (3) alteration or modification by any parties other than the manufacturer, (4) misuse, abuse, neglect, accidents, Acts of God, terrorism or (5) failure to correctly use the item according to the owners manual (7) other causes beyond the control of the Seller after delivery of the Product to the Sellers Authorized Agent.

## Other Exclusions

This Warranty does not cover steel cables, synthetic ropes, fairleads, wireless remotes or any exterior finishes outside thirty (30) Days from purchase.

BPE Limited shall not be responsible or liable for any indirect or consequential damages. These consequential damages may include, but are not limited to, lost profits or loss of use, down time or damage to other person(s) equipment.

BPE Limited reserves the right to change the Product design without notice. BPE Limited reserves the right to replace any part or whole unit with a newer design of the same function.

**SPECIFICATIONS 10NHSY**

<b>Rated line pull</b>	10000 lbs (4536 kgs)
<b>Motor displacement</b>	65 ml/r
<b>Oil flow</b>	15-45L/min
<b>Pressure</b>	12.5Mpa
<b>Gear reduction ratio</b>	25.5:1
<b>Cable (Dia.*L)</b>	Ø13/32"×83.7' (Ø10.2mm×25.5m)
<b>Drum size(Dia.*L)</b>	Ø2.8 "×8.6" (Ø72mm×219mm)
<b>Mounting bolt pattern</b>	10 "×4.5 " (254mm×114.3mm) 4-M12
<b>Overall dimensions (L*W*H)</b>	20.4"×8.1"×9.7" 519mm ×206mm ×246mm
<b>Net weight lbs(kg)</b>	117 (53)

**Line Pull and Pressure (First layer)**

<b>Line pull lbs (kgs)</b>	<b>Pressure Mpa(Psi)</b>
0	2.0(290.1)
3000(1361)	4.5(652.7)
6000(2722)	6.8(986.2)
9000(4082)	9.0(1305.3)
10000(4536)	12.5(1812.9)

**Oil Flow and Line Speed (First layer)**

<b>Flow G/min (L/min)</b>	<b>Line speed ft/min(m/min)</b>
1.3(5.0)	2.3 (0.7)
2.6(10.0)	4.6(1.4)
5.3(20.0)	8.9(2.7)
9.2(35.0)	15.1(4.6)
10.6(40.0)	17.4(5.3)

**Layers, Line Pull and Rope Capacity**

<b>Layer of wire rope</b>	<b>Rated line pull lbs(kgs)</b>	<b>Total rope on drum ft (m)</b>
1	10000(4536)	16.4(5.0)
2	8012(3634)	37.2(11.3)
3	6683(3031)	60.9(18.6)
4	5732(2600)	83.7(25.5)

**SPECIFICATIONS 15NHSY**

<b>Rated line pull</b>	15000 lbs (6804 kgs)
<b>Motor displacement</b>	80ml/r
<b>Oil flow</b>	5-60L/min
<b>Pressure</b>	13Mpa
<b>Gear reduction ratio</b>	33.4:1
<b>Cable (Dia.*L)</b>	Ø15/32"×87' (Ø12mm×26.5m)
<b>Drum size(Dia.*L)</b>	Ø3.5 "×8.5" (Ø89mm×217mm)
<b>Mounting bolt pattern</b>	10 "×4.5 " (254mm×114.3mm) 4-M12
<b>Overall dimensions (L*W*H)</b>	21.4"×8.9"×10.3" 544mm ×226mm ×262mm
<b>Net weight lbs(kg)</b>	152 (68.8)

**Line Pull and Pressure (First layer)**

Line pull lbs (kgs)	Pressure Mpa(Psi)
0	2.0(290.1)
5000(2268)	4.3(623.7)
10000(4536)	8.7(1261.8)
12000(5443)	10.0(1450.3)
15000(6804)	13.0(1885.4)

**Oil Flow and Line Speed (First layer)**

Flow G/min (L/min)	Line speed ft/min(m/min)
1.3(5.0)	1.6(0.5)
2.6(10.0)	3.3(1.0)
5.3(20.0)	6.6(2.0)
7.9(30.0)	9.8(3.0)
15.9(60.0)	19.7(6.0)

**Layers, Line Pull and Rope Capacity**

Layer of wire rope	Rated line pull lbs(kgs)	Total rope on drum ft (m)
1	15000(6804)	18.0(5.5)
2	12120(5498)	41.7(12.4)
3	10168(4612)	65.9(20.1)
4	8757(3972)	86.9(26.5)

## EINFÜHRUNG

Herzlichen Glückwunsch zum Kauf Ihrer Winde. Wir entwickeln und bauen Winden nach strengen Vorgaben. Bei richtiger Anwendung und Wartung wird Ihre Winde Ihnen jahrelang gute Dienste leisten.

Es wurden alle Anstrengungen unternommen, um die Richtigkeit und Vollständigkeit der Informationen in diesem Handbuch zum Zeitpunkt der Veröffentlichung zu gewährleisten. Wir behalten uns das Recht vor, das Produkt und dieses Dokument jederzeit ohne Vorankündigung zu ändern, zu ergänzen und/oder zu verbessern.

## SICHERHEITSHINWEISE

Ihre Winde kann enorme Zugkräfte entwickeln. Bei unsachgemäßer Verwendung kann es daher zu Sachschäden und schweren Verletzungen, eventuell sogar mit Todesfolge, kommen. In diesem Handbuch finden Sie die folgenden Symbole für „Vorsicht“, „Warnung“ und „Gefahr“. Achten Sie besonders auf die Hinweise, denen diese Symbole vorangestellt sind, da sie Ihrer Sicherheit dienen. Letztendlich liegt die Verantwortung für den sicheren Betrieb dieses Geräts bei Ihnen, dem Bediener.

### GEFÄHR

GEFÄHR weist auf eine gefährliche Situation hin, die bei Nichtbeachtung zum Tod oder zu schweren Verletzungen führt.

### WARNUNG

WARNUNG weist auf eine gefährliche Situation hin, die bei Nichtbeachtung zum Tod oder zu schweren Verletzungen führen kann.

### VORSICHT

VORSICHT weist auf eine gefährliche Situation hin, die bei Nichtbeachtung zu leichten oder mittelschweren Verletzungen führen kann.

### HINWEIS

HINWEIS kennzeichnet Informationen, die als wichtig erachtet werden, aber nicht mit Gefahren verbunden sind (z.B. Meldungen über Sachschäden).

## LERNEN SIE IHRE WINDE KENNEN

Ihre Winde ist ein leistungsstarkes Gerät. Es ist wichtig, dass Sie die Funktionsweise und die technischen Einzelheiten dieser Winde verstehen, damit Sie das Gerät sicher verwenden können. Nachfolgend finden Sie eine Liste der Komponenten Ihrer Winde und deren Verwendung.

1. Diese Winde entwickelt die maximale Zugkraft auf der untersten (ersten) Seillage.
2. Motor: Der Motor wird durch Hydraulikflüssigkeit angetrieben und versorgt die Getriebebaugruppe mit Strom, die die Trommel dreht und das Drahtseil in beide Richtungen aufwickelt
3. Windentrommel: Die Windentrommel ist der Zylinder, auf dem das Seil gelagert ist. Sie kann mithilfe der Fernbedienung bewegt werden, um das Seil auf- oder abzuwickeln.
4. Drahtseil: Die Winde ist mit einem verzinkten Flugzeugseil oder einem Kunststoffseil ausgestattet, das speziell für den Traglastbereich der dieser Winde ausgelegt ist. Das Drahtseil wird von unterhalb der Trommel durch das mitgelieferte Seilfenster geführt und am Ende eine Schlinge, um den Gabelkopfhaken aufzunehmen.
5. Seilfenster (Inbegriffen): Wenn die Winde in einem bestimmten Winkel benutzt wird, dient das Rollenseilfenster dazu, das Seil auf die Trommel zu führen und so die Beschädigung des Seils durch Abrieb an der Windenhalterung oder den Trommelflanschen zu minimieren.
6. Getriebesystem: Die Untersetzungsgetriebe wandeln die Motorleistung der Winde in extreme Zugkräfte um.
7. Externes Bremssystem: Die Bremswirkung wird automatisch auf die Winde ausgeübt, wenn der Windenmotor angehalten wird oder wenn eine Last auf dem Drahtseil liegt. Dies wird durch eine externe mechanische Bremse erreicht. (Bremsen sind NICHT als Sicherungsvorrichtungen vorgesehen und Windenseile dürfen niemals befestigt sein, wenn das Fahrzeug/die Ausrüstung transportiert wird).
8. Freilaufkupplung: Mithilfe der Kupplung kann der Bediener die Trommel manuell vom Getriebe abkoppeln („CLUTCH OUT“). Dies wird als Freilauf bezeichnet. Durch Einrücken der Kupplung („CLUTCH IN“) wird die Winde an das Getriebe gebunden.
9. Universal-Flachbett-Montageschiene: (Optional) Möglicherweise ist Ihre Winde mit einer Flachbett-Montageschiene ausgestattet, die an den meisten flachen Oberflächen wie Anhängern, Ladeflächen und anderen Strukturen befestigt werden kann. Die Montageschiene verfügt auch über eine Reihe von Befestigungslöchern und Bohrungen zur Aufnahme Ihres Rollenseilfensters.
10. Umlenkrolle: (Optional) Wenn Ihre Winde mit einer Umlenkrolle ausgestattet ist, kann damit die Zugkraft der Winde verdoppelt oder die Zugrichtung geändert werden, ohne das Drahtseil zu beschädigen. Wir empfehlen Ihnen, ein Doppelseil und eine Umlenkrolle zu verwenden, um mehr als 70 % der Nennzugkraft des Seils zu ziehen.

## WICHTIGE SICHERHEITSHINWEISE

### GEFAHR

DIE NENNTRAGLAST DARF NICHT ÜBERSCHRITTEN WERDEN.

**NUR FÜR DIE PERIODISCHE VERWENDUNG - ZWISCHEN EINSÄTZEN ABKÜHLEN LASSEN.**

**NICHT** zum Heben/Bewegen von Menschen oder lebenden Tieren verwenden.

Zum Ziehen und Halten der Nennlast sind mindestens fünf Seilwicklungen auf der Trommel erforderlich. Die Seilklemme ist nicht zum Halten der Last vorgesehen, wenn sich nicht mindestens 5 Seilwindungen auf der Trommel befinden (normalerweise macht eine rote Markierung am Trommelende des Seils darauf aufmerksam)

### GEFAHR

Achten Sie darauf, dass Sie und andere Personen sich in einem SICHEREN ABSTAND neben dem Seil aufhalten, wenn es unter Spannung steht.

**Steigen Sie NIEMALS** über ein unter Last stehendes Seil, stellen Sie sich nicht auf das Seil und halten Sie sich nicht in seiner Nähe auf. Es wird dringend empfohlen, eine Decke oder ein Segel zu verwenden.

Verwenden Sie das Fahrzeug**NICHT**, um eine Last am Windenseil zu ziehen (Abschleppen). Dies kann zum Reißen des Seils führen.

### GEFAHR

**Die maximale Zugkraft darf NICHT** überschritten werden. Vermeiden Sie „Schocklasten“, indem Sie den Kontrollschalter der Fernbedienung schrittweise verwenden, um Spiel im Drahtseil zu vermeiden. Das Seil sollte immer unter Spannung sein. „Schocklasten“ können die Nennzugkraft des Drahtseils und der Trommel weit überschreiten und zu einer Beschädigung von Winde und Bremse führen. In diesem Fall erlischt jegliche Garantie.

### GEFAHR

**Die Winde darf NICHT** als Sicherungsvorrichtung verwendet werden. Sie ist nicht für diesen Zweck ausgelegt. Bei Fehlgebrauch kann es zu einer Beschädigung der Winde und der Bremse kommen. In diesem Fall erlischt die Garantie.

Die in den Tabellen angegebenen Werte für die maximale Zugkraft dürfen **NICHT** überschritten werden.

Die Winde darf**NICHT** als Hebezeug verwendet werden. Nicht zum Überkopfbeheben verwenden.

### GEFAHR

**NIEMALS** einen Teil der Winde oder des Seils schneiden, schweißen oder modifizieren. In diesem Fall erlischt jegliche Garantie.

### GEFAHR

**Beim Aufwickeln** muss darauf geachtet werden, dass das Seil mit dem Seileinlauf unten aufgewickelt wird und von unten, nicht von oben, in die Trommel eintritt. Tragen Sie beim Aufwickeln des Seils Handschuhe. Um das Seil korrekt aufzuwickeln, muss eine leichte Spannung auf dem Seil vorhanden sein. Drücken Sie die Taste auf der Fernbedienung, um das Seil einzuziehen. Gehen Sie auf die Winde zu und lassen Sie das Seil **NIEMALS** durch die Finger oder Hände gleiten.

Achten Sie darauf, dass sich die Hände während des Aufwickelns **NICHT** näher als 30 cm an der Winde befinden. Schalten Sie die Winde aus und wiederholen Sie den Vorgang, bis nur noch ein paar Meter Seil übrig sind. Trennen Sie die Fernbedienung ab und beenden Sie den Wickelvorgang von Hand, indem Sie die Trommel bei ausgerückter Kupplung mit der Hand drehen. Halten Sie die Hände von der Umlenkrolle und der Trommel fern, während die Winde unter Strom steht.

### GEFAHR

Bei Nichtbeachtung dieser Warnhinweise kann es zu Verletzungen und/oder Sachschäden kommen.

Tragen Sie immer Handschuhe, um Ihre Hände zu schützen, wenn Sie mit Seilen jeglicher Art arbeiten. Lassen Sie das Seil niemals durch Ihre Hände gleiten.

Verbinden Sie das Seil **NIEMALS** mit sich selbst.

Verwenden Sie Blöcke oder Keile für die Rädern des Fahrzeugs bzw. der Ausrüstung, wenn Sie sich an einer Neigung befinden.

Änderungen, Umbauten oder Abweichungen an der Winde sind vom Hersteller nicht genehmigt und dürfen **NICHT** vorgenommen werden. In diesem Fall erlischt jegliche Garantie.

Der Zugvorgang sollte so kurz wie möglich gehalten werden. Wenn sich der Motor zu heiß anfühlt, unterbrechen Sie den Vorgang unverzüglich und lassen Sie den Motor für ca. 8 Minuten abkühlen. Verwenden Sie die Winde nicht länger als zwei Minuten bei maximaler Zugkraft, ohne eine Pause von 8 Minuten einzulegen.

### GEFAHR

**NICHT**weiterarbeiten, wenn der Motor blockiert. Elektrische Winden sind für die periodische Verwendung vorgesehen.

Die Freilaufkupplung darf **NIEMALS** losgelassen werden, wenn eine Last auf der Winde liegt, da die Last sonst rückwärts rollt.

Verwenden Sie den Handsicherungshaken, wenn Sie mit dem Haken hantieren, um das Drahtseil auf- oder abzuwickeln.

**HINWEIS**

Die Winde und alle mit ihr verwandten Gerätetypen haben eine bestimmte Nennkapazität, wenn die erste Seillage auf die Trommel gewickelt wird. Eine Überlastung kann die Winde, den Motor oder das Seil beschädigen.

Bei Lasten über 70 % der Nennzugkraft empfehlen wir die Verwendung eines Flaschenzuges / einer Umlenkrolle, um die Zugkraft des Drahtseils zu verdoppeln und die Belastung zu verringern. Dies ist in zweierlei Hinsicht hilfreich:

Zum einen wird die Anzahl der Seillagen auf der Trommel reduziert und zum anderen wird die Belastung des Drahtseils um bis zu 50 % verringert. Wenn Sie das Seil zurück zum Fahrzeug verdoppeln, befestigen Sie dieses am Rahmen oder einem anderen tragenden Bauteil.

**HINWEIS**

Der Fahrzeugmotor muss während des Betriebs der Winde weiterlaufen, um den Batterieverbrauch zu minimieren und die Leistung und Geschwindigkeit der Winde zu maximieren. Sollte die Winde für lange Zeit bei abgeschaltetem Motor verwendet werden, kann sich die Batterie entladen und schließlich zu schwach werden, um den Motor wieder zu starten. Stellen Sie in diesem Fall den Vorgang sofort ein, geben Sie dem Fahrzeug Starthilfe und laden Sie die Batterie wieder auf.

**HINWEIS**

Machen Sie sich mit Ihrer Winde vertraut, bevor Sie sie benutzen. Wir empfehlen ein paar Testläufe, um sich mit dem Auflegen des Seils, den Geräuschen der Winde unter verschiedenen Lasten und der Weise vertraut zu machen, wie das Seil auf die Trommel gewickelt wird usw.

Untersuchen Sie das Seil und die Ausrüstung vor jeder Inbetriebnahme sorgfältig. Ein ausgefranztes oder beschädigtes Seil muss sofort ausgetauscht werden. Verwenden Sie nur identische Ersatzseile des Herstellers mit den richtigen Spezifikationen. (Seile fallen nicht unter die angebotene Garantie)

Überprüfen Sie die Installation der Winde und die Schrauben, um sicherzustellen, dass alle Schrauben vor jedem Einsatz fest angezogen sind.

**HINWEIS**

Bewahren Sie das Fernbedienungskabel in Ihrem Fahrzeug oder an einem sicheren Ort auf.

Verbinden Sie das Windenseil NIEMALS mit sich selbst. Dies führt zur Beschädigung des Seils. Verwenden Sie immer eine einen Flaschenzug, eine Umlenkrolle, eine Schlinge oder eine Kette von geeigneter Stärke, wie in den Abbildungen dargestellt.

**HINWEIS**

Jede Winde, die auf irgendeine Weise beschädigt scheint, abgenutzt ist oder nicht normal funktioniert, MUSS umgehend außer Betrieb gestellt werden, bis sie repariert, ausgetauscht oder überholt werden kann. Es wird empfohlen, die notwendigen Reparaturen NUR von einer vom Hersteller autorisierten Reparaturwerkstatt durchführen zu lassen.

**HINWEIS**

Ziehen Sie nur an den Fahrzeugteilen, die vom Fahrzeughersteller spezifiziert wurden.

- Es dürfen nur vom Hersteller bereitgestellte Zubehörteile, Befestigungen und/oder Adapter verwendet werden.

**VORSICHT**

Bei der Verwendung des Werkzeugs sollten immer grundlegende Sicherheitsvorkehrungen befolgt werden, um das Risiko von Personen- und Sachschäden zu verringern. Lesen Sie alle diese Anweisungen, bevor Sie dieses Werkzeug verwenden!

**WARNUNG**

Halten Sie Kinder fern. Kinder dürfen sich niemals im Arbeitsbereich aufhalten. Lassen Sie sie nicht mit Maschinen, Werkzeugen oder Verlängerungskabeln umgehen oder dieses Werkzeug bedienen.

**WARNUNG**

Leerlaufausrüstung lagern. Bei Nichtgebrauch müssen die Werkzeuge an einem trockenen Ort gelagert werden, um Rost zu verhindern. Werkzeuge immer verschließen und außerhalb der Reichweite von Kindern aufbewahren.

**VORSICHT**

Zieh dich richtig an. Tragen Sie keine lose Kleidung oder Schmuck, da sie sich in beweglichen Teilen verfangen können. Schutzkleidung, elektrisch nicht leitende Kleidung und rutschfeste Schuhe werden bei der Arbeit empfohlen. Tragen Sie eine einschränkende Haarbedeckung, um langes Haar zu enthalten.

**WARNUNG**

Augen- und Gehörschutz benutzen. Tragen Sie immer eine Aufprallschutzbrille. Tragen Sie einen Vollgesichtsschutz, wenn Sie Metallspäne oder Holzspäne herstellen. Tragen Sie eine Staubmaske oder eine Atemschutzmaske, wenn Sie in der Nähe von Metall, Holz, chemischen Stäuben und Nebeln arbeiten.



**⚠ VORSICHT**

Pflegen Sie diese Winde mit Sorgfalt. Halten Sie dieses Werkzeug trocken und sauber für eine bessere und sicherere Leistung. Befolgen Sie die Anweisungen zum Schmieren und Wechseln von Zubehör. Überprüfen Sie das Seil der Winde regelmäßig und lassen Sie es bei Beschädigung sofort von einem autorisierten Techniker austauschen. Die Griffe müssen sauber, trocken und immer frei von Öl und Fett gehalten werden.

Trennen Sie den Fernschalter oder ziehen Sie ihn aus der Steckdose, wenn er nicht verwendet wird.

**⚠ GEFAHR**

Bleiben Sie wachsam, beobachten Sie, was Sie tun, verwenden Sie den gesunden Menschenverstand. Betreiben Sie kein Werkzeug, wenn Sie müde sind.

**⚠ WARNUNG**

**Auf beschädigte Teile prüfen.** Vor der Verwendung dieser Winde sollten alle Teile, die verschlissen oder beschädigt erscheinen, sorgfältig überprüft werden, um festzustellen, ob sie ordnungsgemäß funktionieren und ihre bestimmungsgemäße Funktion erfüllen. Überprüfen Sie auf Beschädigungen, einschließlich Ausrichtungen, Bindung beweglicher Teile; Montagevorrichtungen. Beschädigte Teile sollten von einer qualifizierten Person ordnungsgemäß repariert oder ersetzt werden. Verwenden Sie das Werkzeug nicht, wenn ein Schalter nicht richtig „Ein“ und „Aus“ schaltet.

**⚠ WARNUNG**

**Ersatzteile und Zubehör.** Verwenden Sie bei der Reparatur oder Wartung nur identische Ersatzteile. Die Verwendung anderer Teile führt zum Erlöschen der Garantie.

**⚠ WARNUNG**

**Betreiben Sie das Gerät nicht, wenn es unter dem Einfluss von Alkohol oder Drogen steht.** Lesen Sie die Warnschilder auf der Verschreibung, um festzustellen, ob Ihr Urteilsvermögen oder Ihre Reflexe während der Einnahme von Medikamenten beeinträchtigt sind. Im Zweifelsfall darf das Werkzeug nicht bedient werden.

**⚠ GEFAHR**

Halten Sie Hände und Körper während des Betriebs von Fairlead (Kabeleinlassschlitz) fern.

Sichern Sie das Fahrzeug immer in Position, bevor Sie die Winde benutzen.

**⚠ WARNUNG**

Stellen Sie sicher, dass die Winde ordnungsgemäß mit einer Struktur (oder einem Fahrzeug) verschraubt ist, die die maximale Nennlast der Winden halten kann.

Verwenden Sie keine ungeeigneten Befestigungen, um die Länge des Windenkabels zu verlängern.

**⚠ GEFAHR**

Niemals Personen heben oder Lasten über Personen heben oder lebende Tiere heben.

Während des Betriebs niemals zwischen die Winde und die Last treten.

**⚠ WARNUNG**

Wenden Sie keine Lasten auf die Winde an, wenn das Kabel vollständig über die Sicherheitsmarkierung hinaus ausgezogen ist. Halten Sie mindestens 5 volle Kabelwicklungen auf der Spule (normalerweise rot markiert auf dem Windenkabel am Trommelende).

Nachdem Sie ein Gerät mit der Winde bewegt haben, sichern Sie das Gerät an Ort und Stelle. Verlassen Sie sich nicht darauf, dass die Winde über einen längeren Zeitraum oder während des Transports gehalten wird. Winden sind keine Sicherungsvorrichtung. Auf diese Weise erlischt jede Garantie

**⚠ VORSICHT**

Überprüfen Sie die Winde, bevor Sie sie verwenden. Komponenten können durch Chemikalien, Salze und Rost beeinträchtigt werden.

Unter Last darf das Windenseil nicht über- oder unterquert werden.

Verwenden Sie beim Umgang mit Kabeln Handschuhe.

**⚠ WARNUNG**

Betreiben Sie die Winde niemals, wenn das Kabel Anzeichen einer Schwächung wie Knoten oder Knicken aufweist. Wenn dies der Fall ist, müssen Sie sie sofort ersetzen.

**⚠ GEFAHR**

Bewegen Sie Ihr Fahrzeug nicht, wenn das Kabel ausgezogen und an der Last befestigt ist. Sie könnten leicht die Windenleistung überschreiten und das Kabel reißen.

Wenn das Fahrzeug an einer Steigung geparkt ist, sollten Sie Unterlegkeile verwenden.

**⚠ VORSICHT**

Wickeln Sie das Kabel nach jeder Operation immer ordentlich auf, um eine Fehlausrichtung des Windenkabels für den nächsten Gebrauch zu vermeiden

**⚠ VORSICHT**

Das Windenseil muss unter einer Belastung von mindestens 10 % des Nennzuges auf die Trommel aufgewickelt werden, sonst ziehen sich die äußeren Windungen in innere Windungen und beschädigen das Windenseil.

Bevor Sie die Winde unter Last betreiben, sollten Sie die ordnungsgemäße Funktion der Winde überprüfen, indem Sie die Kupplung ein- und auskuppeln, die Richtungssteuerungen betätigen und die Geschwindigkeitssteuerungen betätigen. Dies stellt sicher, dass die Winde ordnungsgemäß funktioniert und hilft, unbeabsichtigte Schäden und Verletzungen zu vermeiden. Das Radfahren der Winde vor dem Beladen stellt auch sicher, dass die Zahnräder richtig ausgerichtet sind.

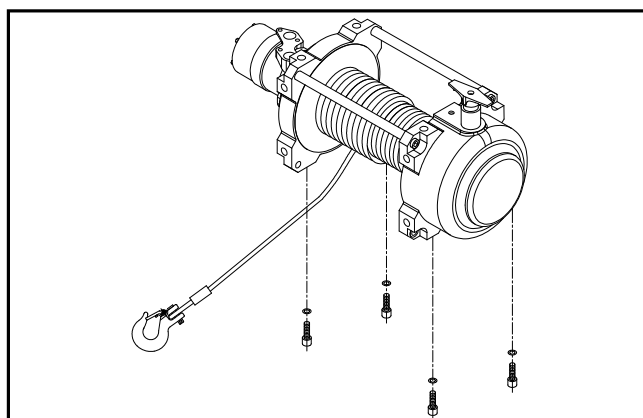
**⚠ VORSICHT**

Batterien enthalten brennbare und explosive Gase. Tragen Sie während der Installation einen Augenschutz und entfernen Sie jeglichen Schmuck. Lehnen Sie sich nicht über die Batterie, während Sie Verbindungen herstellen.

**WINDENANORDNUNG UND MONTAGE**

- **Installation:** Ihre neue Winde ist mit einem Bolzenmuster ausgestattet, das in dieser Windenklasse Standard ist. Möglicherweise ist ein Windenmontagesatz verfügbar, der dieses Schraubenmuster verwendet. Wenn Sie vor Ort keinen Satz finden können, müssen Sie möglicherweise einen Ingenieur haben, wenden Sie sich an ein lokales Ingenieurbüro. Wenn Sie einen Befestigungskanal verwenden, müssen Sie sicherstellen, dass dieser auf einer ebenen Fläche montiert ist, so dass die drei Hauptabschnitte (Motor, Trommel und Getriebegehäuse) richtig ausgerichtet sind. Eine unsachgemäße Ausrichtung der Winde führt zu einer ungleichmäßigen Lastverteilung und beschädigt die Winde oder Ausrüstung. Montieren Sie die Winde mit hochfesten Stahlschrauben am Fahrzeug. Es sollte ausgerichtet und an einem festen Teil des Fahrzeugs (vorne oder hinten) befestigt werden, an dem die volle Nennlast gleichmäßig verteilt wird, ohne das Fahrzeug oder die Ausrüstung zu beschädigen.
- **Montage des Ausgleichsventils:** Das mitgelieferte Ausgleichsventil sollte bereits mit dem Motor verbunden sein. Stellen Sie sicher, dass die Installationsrichtung des Ausgleichsventils der hydraulischen Haupttabelle entspricht. Andernfalls erreicht die Winde nicht den Nennzug, und es ist auch gefährlich für die Winde, das Kabel mit hoher Last auszuschalten. Wenn dieses Symptom auftritt, trennen Sie einfach das Ausgleichsventil: Tauschen Sie die Ölbohrung zwischen Hydraulikmotor und Ausgleichsventil aus, während Ihre Winde in eine andere Richtung arbeitet, wechseln Sie A→C1, B→C2 in A→C2, B→C1. Und verbinden Sie es wieder. Wenn Ihre Winde mit einem Ausgleichsventil geliefert wird, ist sie werksseitig mit dem Motor verbunden.
- **Sanitäranschlüsse:** Halten Sie alle Schläuche von Bereichen fern, in denen Hitze als zu extrem angesehen werden kann, wie z. B. Auspuff, Turbolader oder bewegliche Teile. Linien sollten nicht auf rotierenden, schleifenden oder vibrierenden Oberflächen reiben dürfen. In einigen Anwendungen sind 90°-Anschlüsse am Wegeventil und Motor oder Ausgleichsventil erforderlich, um die Schlauchmontage flexibler zu gestalten. Nachdem die Sanitärinstallation am Fahrzeug

ausgelegt wurde, montieren Sie O-Ring-Dichtungen an Ventilen und Anschlüssen. Drehmomentfest. Ziehen Sie keine Armaturen zu fest an. O-Ring-Dichtungen an Windenmotor anbringen. Drehmomentfest. Verbinden Sie einen beliebigen Schlauchanschluss A am Motor oder Anschluss V1 am Ausgleichsventil mit Anschluss A am Wegeventil, Anschluss B am Motor oder Anschluss V2 am Ausgleichsventil mit Anschluss B am Wegeventil, Anschluss P am Wegeventil mit dem Hochdruckanschluss der Pumpe, Anschluss T am Ventil mit dem Behälter, falls erforderlich, Verbinden Sie einen beliebigen Schlauchanschluss am Ventil mit dem Lenkradkasten. Befestigen Sie einen O-Ring oder eine Dichtung von der ursprünglichen Rohrverschraubung des Fahrzeugs an der Rohrverschraubung.

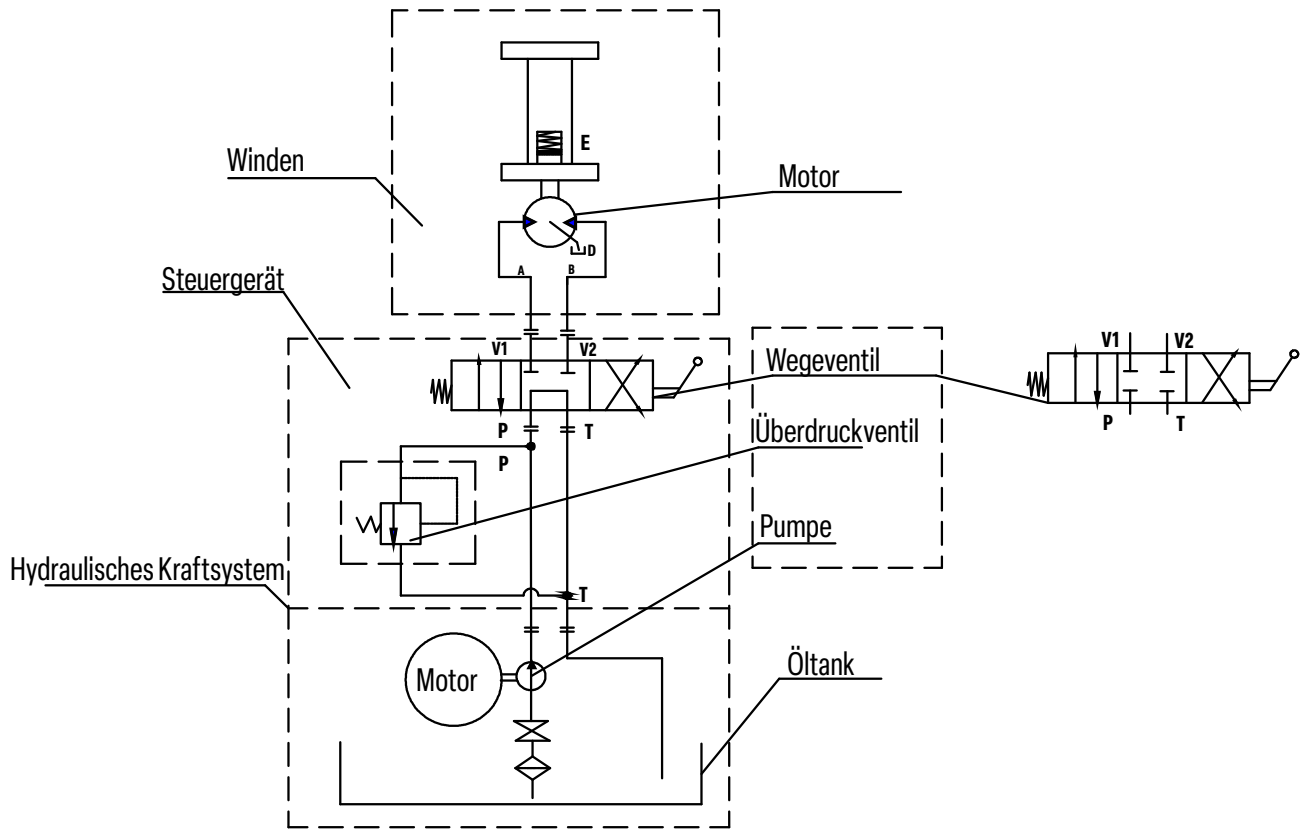
**HYDRAULISCHES HAUPTDIAGRAMM UND INSTALLATION:**

Das Hydrauliksystem sollte zu diesem Zeitpunkt gespült werden. Nachfolgend finden Sie die Anweisungen zum Spülen des Hydrauliksystems.

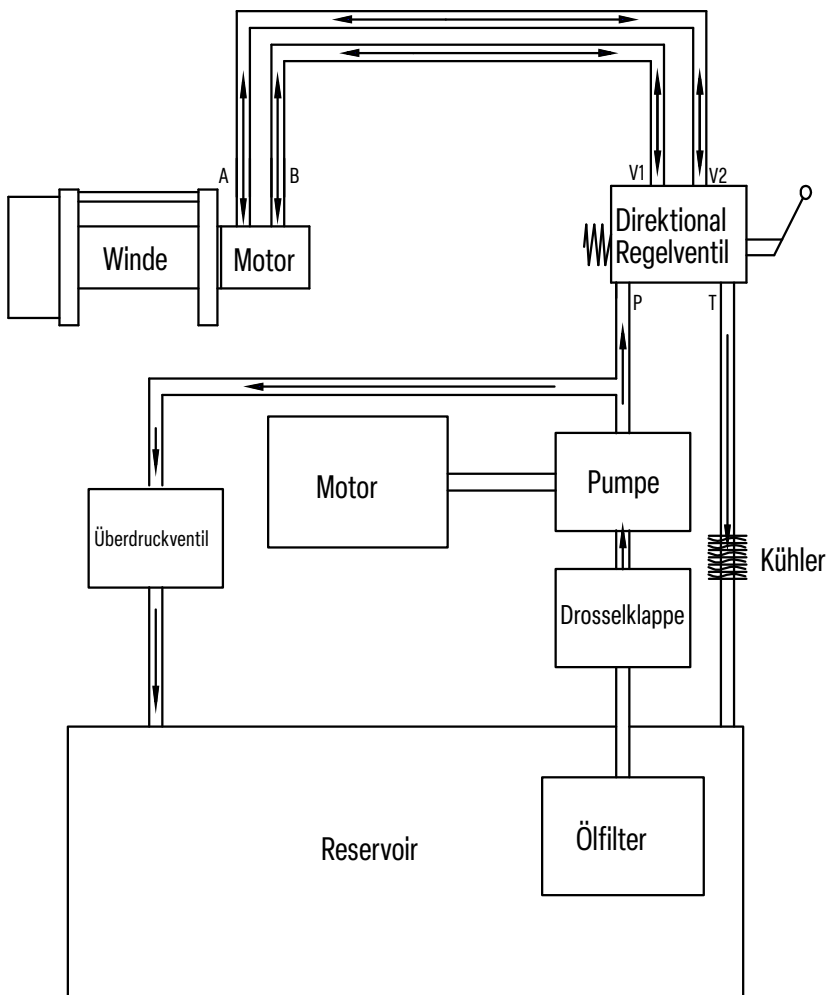
**wie man das Hydrauliksystem spült.**

1. Starten Sie den Motor.
2. Schalten Sie die Winde ein, um etwa 5 Fuß Kabel herauszuziehen.
3. Schalten Sie den Motor ab.
4. Überprüfen Sie den Flüssigkeitsstand und füllen Sie ihn bei Bedarf ein.
5. Wiederholen Sie die Schritte 1 bis 4 bei Bedarf.
6. Starten Sie den Motor.
7. Bringen Sie das Kabel in die gewünschte Position.
8. Drehen Sie die Räder am Fahrzeug fünfmal von der rechten Verriegelung in die linke Verriegelungsposition, um das Hydrauliksystem zu entlüften.
9. Wenn das Handsteuergerät rückwärts arbeitet, tauschen Sie einfach die braunen und die weißen Kabelverbindungen innerhalb des Ventils aus.

Testen Sie die Winde auf ordnungsgemäßen Betrieb. Siehe Abschnitt Betrieb.



DE



## BETRIEB

### ⚠️ WARNUNG

1. Stellen Sie sicher, dass die Kupplung vollständig eingerückt ist, bevor Sie einen Windenbetrieb starten
2. Halten Sie sich von angehobenen Lasten fern
3. Halten Sie sich beim Ziehen vom Kabel fern. Versuchen Sie nicht, das Kabel zu führen
4. Mindestens 5 Kabelumwicklungen um das Trommelrohr

### Allgemeine Informationen

Die Standardausrüstung der Winde enthält Untersetzungsgetriebe, Trommel-Hydraulikmotor, Magnetventil, Schalterbaugruppe, Buchse und Sanitärarmaturen. Die Winde erhält ihren Druck von der vorhandenen Servolenkungspumpe des Fahrzeugs oder einer anderen hydraulischen Leistung. Die Winde ist komplett abgedichtet, kann unter Wasser verwendet werden.

Es gibt mehrere andere Möglichkeiten, die Winde mit Strom zu versorgen. Die erste Möglichkeit besteht darin, eine einzelne Pumpe für den technischen Einsatz zu verwenden. Die zweite Möglichkeit besteht darin, den Hydraulikdruck der Winde mit der austretenden Servolenkungspumpe des Fahrzeugs bereitzustellen (siehe Installationsanleitung).

- Verwenden Sie eine geeignete Einzelpumpe, die kein Öldruckbegrenzungsventil hat. Es liefert Druck sowohl für den Lenkkasten als auch für die Winde.
- Verwenden Sie eine kombinierte Pumpe mit integriertem Ölventil. Das Ölventil liefert zwei Arten von Durchfluss, basierend auf dem Unterschied in der Nachfrage. Eine Art von Durchfluss ist konstant und sollte mit dem Lenksystem verwendet werden. Der andere sorgt für höheren Druck und ist für den technischen Einsatz bestimmt.

### ⚠️ VORSICHT

Das Hydrauliksystem benötigt ein Überdruckventil, um sicherzustellen, dass das System sicher ist. Wenn sich kein Überdruckventil im System befindet, wäre dies eine ernsthafte Gefahr und das System kann nicht funktionieren. Wenn Ihre Winde von einem vorhandenen Hydrauliksystem angetrieben wird, ist auch das Entlastungsventil vorhanden.

### Winden-Arbeitsdemonstration:

1. Lösen Sie die Kupplung, indem Sie die Kupplung in die Position „KUPPLUNG AUS“ drehen.
2. Greifen Sie die Kabelkonfektion und ziehen Sie das Kabel auf die gewünschte Länge, dann befestigen Sie es an dem zu ziehenden Gegenstand.

### ⚠️ VORSICHT

Lassen Sie immer mindestens fünf Windungen des Kabels auf der Trommel. Überprüfen Sie die Sicherheitswarnungen und Vorsichtsmaßnahmen für die Winde, bevor Sie fortfahren.

3. Schalten Sie die Kupplung wieder ein, indem Sie die Kupplungsbaugruppe bei Bedarf in die Position „KUPPLUNG ein“ drehen.
4. Testlaufwinde in beide Richtungen. Drehen Sie die Winde für etwa eine oder zwei Sekunden in jede Richtung, um die Kupplung automatisch vollständig einzurücken.
5. Halten und bedienen Sie die Schalterbaugruppe, die von Ihrer Wahl geliefert wird, während Sie neben dem Schlepppfad stehen. Warten Sie, bis der Motor stoppt, bevor Sie die Richtung umkehren.

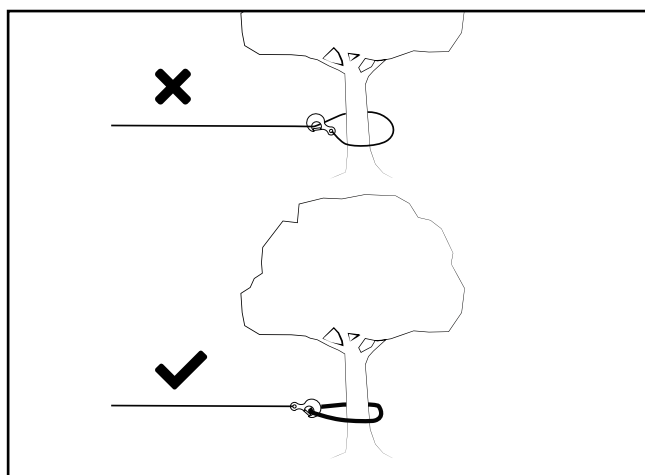
## FIXIERUNG DES SEILS

Finden Sie eine passende Befestigung, z. B. einen ausreichend starken Baumstamm oder Felsbrocken.

Verwenden Sie **IMMER** eine Schlinge oder einen Gurt als Anschlagpunkt an einem Gegenstand. Verwenden Sie niemals das Seil oder den Haken als Anschlagpunkt.

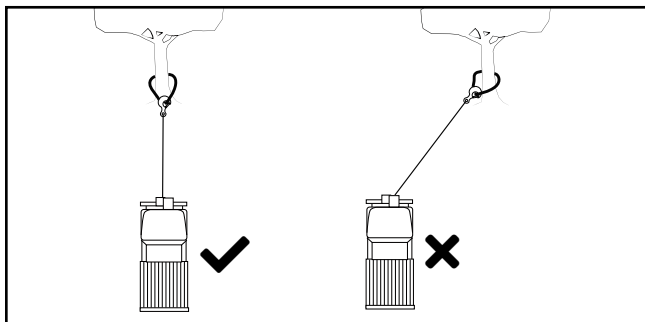
### ⚠️ VORSICHT

Befestigen Sie den Gabelkopfhaken **NIEMALS** am Windenseil, da dies zur Beschädigung des Seils führen kann.



### ⚠️ VORSICHT

Benutzen Sie die Winde nicht in einem spitzen Winkel, da sich dadurch das Seil auf der einen Seite der Trommel stapelt, wodurch das Seil und die Winde beschädigt werden können.



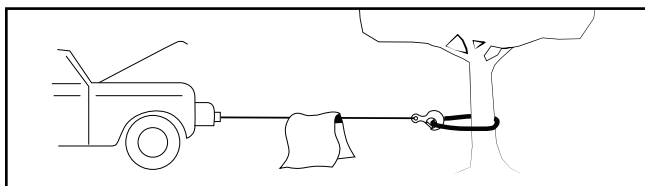
### HINWEIS

Es können kurze Züge in einem Winkel verwendet werden, um das Fahrzeug/die Ausrüstung gerade auszurichten. Lange Züge sollten mit dem Seil in einer geraden Linie zur Winde/zum Fahrzeug ausgeführt werden (siehe Abbildung oben).

### VORSICHT

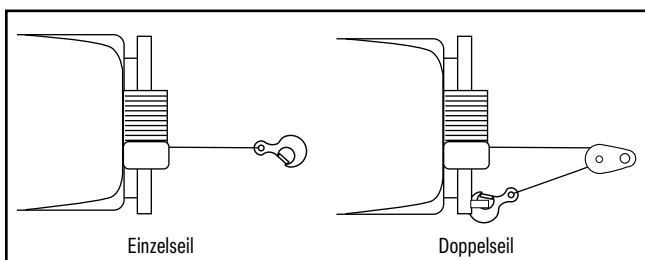
Wenn Sie eine schwere Last ziehen, legen Sie eine Decke oder eine Jacke über das Drahtseil, etwa einen Meter vom Haken entfernt, da dies im Falle eines Kabelbruchs die einwirkende Kraft dämpft.

Für zusätzlichen Schutz öffnen Sie die Motorhaube des Fahrzeugs wie in der Abbildung dargestellt.



### HINWEIS

Bei Lasten über 70 % der Nennzugkraft empfehlen wir die Verwendung einer Flaschenzuges / einer Umlenkrolle, um die Zugkraft des Drahtseils zu verdoppeln. Dadurch wird die Winde entlastet und das Seil geschont.



### GEFAHR

Verwenden Sie Ihre Winde niemals zum Heben oder Transportieren von Personen oder zum Transportieren von lebenden Tieren.



## WARTUNG

### SCHMIERUNG:

- Alle beweglichen Teile innerhalb der Winde wurden werkseitig mit Lithium-Hochtemperaturfett geschmiert. Es ist keine interne Schmierung erforderlich.
- Schmieren Sie die Kabelkonfektion regelmäßig mit einem leicht eindringenden Öl.

### AUSTAUSCH DER KABELKONFEKTION

Wenn das Drahtseil abgenutzt ist oder Litzenbrüche aufweist, muss es vor der erneuten Verwendung ausgetauscht werden.

1. Drehen der Kupplung in die Position „AUSKUPPELN“.
2. Erweitern Sie die Kabelkonfektion auf ihre volle Länge. Beachten Sie, wie das vorhandene Kabel mit der Trommel verbunden ist.
3. Entfernen Sie die alte Kabelkonfektion und befestigen Sie eine neue Kabelkonfektion, da das LD-Kabel mit der Trommel verbunden ist. Setzen Sie das Ende des neuen Seils ein und sichern Sie die Schraube, indem Sie sie festschrauben.
4. Drehen der Kupplung in die Position „KUPPLUNG IN“.
5. Ziehen Sie die Kabelbaugruppe auf die Trommel zurück, wobei die ersten fünf Wicklungen darauf achten müssen, dass sie nicht abknicken, dann muss das Windenkabel unter einer Last von mindestens 10 % Nennleitungszug auf die Trommel aufgewickelt werden.

### WARNUNG

Ersetzen Sie das Drahtseil nur durch das identische Ersatzteil das vom Hersteller empfohlen wird. Seile sind nicht Teil einer Garantie und liegen in der alleinigen Verantwortung des Betreibers/Benutzers für zu warten oder zu wechseln.

## VORSICHTSMASSNAHMEN FÜR DIE WARTUNG

1. Die korrekte Verwendung der hydraulischen Winde kann die Lebensdauer der Winde effektiv um viele Jahre erhöhen.
2. Wir empfehlen dringend, Federscheiben mit Befestigungsschrauben zu verwenden. Die Befestigungsschrauben und das Drahtseil müssen regelmäßig auf Lockerheit überprüft werden. Wenn sich herausstellt, dass sie locker sind, ziehen Sie sie immer fest, bevor Sie die Winde verwenden.
3. Umspulen oder Wechseln des Drahtseils: Mit dem Wahlventil die Trommel in eine geeignete Position spulen, das Drahtseil entfernen oder in das Loch am Rand der Trommel einführen. Stahlblech und Schrauben einsetzen und festziehen. Starten Sie die Winde mit einer Mindestlastspule im Drahtseil, um sie sauber und ordentlich zu machen.
4. Achten Sie auf die Ausrichtung der Drahtseile auf der Trommelspule. Wenn das Seil geknickt, ausgefranst oder in irgendeiner Weise beschädigt ist, MUSS es sofort durch ein OEM-Teil ersetzt werden. Wenn es nicht durch ein Original ersetzt wird, erlischt jegliche Garantie.
5. Während der normalen Arbeit muss die Zugkraft gleich oder kleiner als die Nennkapazität sein. Eine Überlastung der Windenkapazität ist nicht zulässig. Die maximale Zugkraft der Winde beträgt etwa das 1,25-fache ihrer Nennkapazität. Wenn sie überschritten wird, führt dies zu Schäden an der Winde und(oder) Ausrüstung oder schweren Verletzungen. Dadurch erlischt jede Garantie.
6. Der Öffnungsdruck des Ausgleichsventils muss 0,1-0,4 MPa höher sein als der der Bremse, da sonst die Winde beim Absenken rüttelt. Unser Unternehmen hat Hebezeuge und Ausgleichsventile für jede Winde getestet, bevor sie das Werk verlässt. Daher ist es nicht erforderlich, dass Benutzer/Bediener sie überhaupt einstellen. Wenn es jedoch Sonderfälle gibt, in denen die Benutzer sie einstellen müssen, können die Benutzer die Einstellschraube nach außen drehen und so den Öffnungsdruck erhöhen. Versuchen Sie niemals, das Balanceventil selbst einzustellen, indem Sie eine Fachperson oder einen Kundendienstmitarbeiter verwenden.
7. Bei einer ungewöhnlichen Druckerhöhung im System müssen die Benutzer die Verwendung der Winde sofort einstellen. Überprüfen Sie, ob das Öl austritt und ob der Hydraulikmotor normal ist. Normalerweise, wenn der Hydraulikmotor unter Last arbeitet, darf das ausgelaufene Öl aus der Leitung 1 m/m nicht überschreiten. Eine ausreichende Leckage zeigt einen beschädigten Hydraulikmotor, der sofort repariert oder ersetzt werden muss. Wenn der Hydraulikmotor in gutem Zustand ist, überprüfen Sie andere Teile im System.
8. Überprüfen Sie den Betrieb der hydraulischen Winde und ihrer Systeme regelmäßig während der Arbeit oder wöchentlich. Bei einem abnormalen Temperaturanstieg, Leckage, abnormalen Geräuschen und Vibrationen oder Druckschwankungen sollte der Benutzer die Winde sofort anhalten, um die Ursachen zu überprüfen und zu überholen.
9. Achten Sie auf das Öl und den Füllstand des Tanks. Wenn viel Schaum vorhanden ist, sollten die Benutzer sofort anhalten, um zu überprüfen, ob Luft aus dem Öleinlass des Hydrauliksystems, dem Rücklaufölanschluss unter dem Wasser austritt und ob Hydrauliköl durch den Eintritt des Wassers emulgiert wird.
10. Wenn die Winde Anzeichen einer Leistungsminderung zeigt, wechseln Sie das Hydrauliköl. Altes und neues Öl nicht immer alle ersetzen.
11. Geben Sie 90 # Getriebeöl in das Untersetzungsgetriebe der Winde, bevor Sie es verwenden, und ersetzen Sie das Öl nach 100 kumulierten Arbeitsstunden. Entfernen Sie zuerst die Schraubstopfen auf der Trommel und rollen Sie dann die Trommel langsam, damit das Trommelblockloch auf das Blockloch auf dem Planetengetriebe ausgerichtet ist. Ziehen Sie den Stecker vorsichtig mit einem Inbusschlüssel heraus. Lassen Sie das gesamte Altöl ab und fügen Sie das neue Öl hinzu. Ziehen Sie jeden einzelnen Stecker fest.
12. Überprüfen Sie regelmäßig den Ölfilter, der regelmäßig gereinigt und ausgetauscht werden sollte.
13. Das Stehen unter dem Windenhaken ist strengstens untersagt.

## Überholung

Wenn die Hydraulikwinde nicht funktioniert oder eine Fehlfunktion bestätigt wurde, kann der Bediener/Benutzer überprüfen und reparieren, wenn er dazu qualifiziert ist. In Fällen, in denen der Benutzer dies nicht tun kann, dann nicht demontieren oder reparieren. Wenden Sie sich zur Überholung an einen professionellen Reparaturspezialisten. Seien Sie vorsichtig, wenn Sie diese hydraulische Winde demontieren, dass Sie keine Kratzer oder Vertiefungen an Präzisionsteilen machen, insbesondere an Oberflächen von beweglichen und abdichtenden Teilen. Reparieren oder ersetzen Sie beschädigte Teile sofort. Vor der Montage müssen alle Teile gereinigt und mit Lithiumfett beschichtet werden (falls zutreffend)

## Heben

Diese Winden werden nicht zum Heben empfohlen. Wenn Sie Ihre Winde zum Heben (Heben) verwenden, müssen Sie einen Sicherheitsfaktor von 5:1 implementieren. Stellen Sie sicher, dass sich bei der Verwendung zum Heben jederzeit mindestens 1 Schicht auf der Trommel befindet, und achten Sie auf Befestigungen und Fassungsvermögen.

## Lagerung

Die hydraulische Winde sollte in dem Lager gelagert werden, in dem die Luft trocken und kein korrosives Gas ist. Stellen Sie es nicht unter eine hohe Temperatur von 50°C oder einer Umgebung von -20°C für eine langfristige Lagerung, falls die Alterung von Dichtungsteilen beschleunigt wird.

Wenn sich die hydraulische Winde in einem Langzeitlager befindet, sollte der Benutzer das gesamte Öl daraus ablassen und die Maschine vollständig mit Turbinenöl mit einer niedrigen Säurezahl füllen.



## FEHLERBEHEBUNG

Problem	Ursache	Lösung
Winde dreht sich nicht	Unzureichender hydraulischer Systemdruck.	Überprüfen Sie, ob das Überdruckventil den Druck reguliert.
	Unsachgemäße Anschlüsse des Hydrauliksystems, kein Öl in den Motor.	Überprüfen Sie alle Sanitärarmaturen gemäß dem Arbeitsprinzipdiagramm.
		Wegeventil defekt
Motor läuft, aber Trommel dreht sich nicht	Kupplung nicht eingerastet	Drehen Sie die Kupplung in die Position für hohe oder niedrige Geschwindigkeit. Wenn das Problem weiterhin besteht, bitten Sie einen Techniker, es zu überprüfen und zu reparieren.
Motor läuft langsam oder ohne normale Leistung	Unzureichender Druck oder Ölfluss	Stoßstange ist nicht geeignet oder defekt. Wechseln Sie eine neue oder eine geeignete
	Unzureichende Flüssigkeit im System	Flüssigkeitsstand prüfen. Flüssigkeit zugeben, bis sie voll ist.
	Falsche Arbeitsrichtung der Winde.	Wechseln Sie die Verbindung von Ausgleichsventil und Motor.
Die Winde kann das Drahtseil nicht reibungslos mit der Last abwickeln.	Falsche Arbeitsrichtung der Winde.	Wechseln Sie die Verbindung von Ausgleichsventil und Motor.

## GARANTIE\*

### BPE Limited ist der alleinige Vertriebspartner von WARRIOR-WINDEN.

BPE Limited („Verkäufer“ oder BPE Limited) garantiert dem ursprünglichen Einzelhandelskäufer („Käufer“), dass alle mechanischen Komponenten einer echten WARRIOR-WINDE („Produkt“) während der Lebensdauer der Winde frei von Material- und Verarbeitungsfehlern sind.

Die elektrischen Komponenten (einschließlich Motor, Schütz und Schalter) sind für einen Zeitraum von (3) drei Jahren (36 Monaten) ab dem ursprünglichen, nachweisbaren Kaufdatum frei von Material- und Verarbeitungsfehlern.

Jedes Produkt, das von BPE Limited als fehlerhaft eingestuft wird, wird nach eigenem Ermessen von BPE Limited repariert oder ersetzt, ohne dass dem Käufer Kosten entstehen, wenn der Käufer dieses Verfahren einhält. Der Verkäufer oder sein bevollmächtigter Vertreter kann angemessene Kosten für Teile und Arbeit für Reparaturen verlangen, die nicht durch diese lebenslange beschränkte Garantie abgedeckt sind. Die hier dargelegten Garantien sind ausschließlich und anstelle aller anderen Garantien, ob mündlich oder schriftlich, ausdrücklich oder stillschweigend.

### Wenn Ihr Produkt innerhalb der Garantiezeit defekt wird:

Um einen Service oder eine Reparatur im Rahmen dieser Garantie in Anspruch zu nehmen, muss der Käufer auf seine Kosten (1) das Produkt, (2) eine schriftliche Beschreibung des Problems, (3) den Namen, die Adresse und die Telefonnummer des Käufers, (4) eine Kopie des Originalkaufbelegs per Post oder auf andere Weise an die Adresse des

Herstellers senden; BPE Limited kann auch eine geeignete Abholmethode arrangieren (dabei fallen Gebühren an).

### Garantieausschlüsse

Die Garantie deckt nicht die Arbeitskosten oder die Transport-/Versandkosten für den Austausch oder die Installation des/der defekten Teils/Teile ab.

Diese Garantie gilt nicht für Defekte des Produkts, die durch; (1) normale Abnutzung, (2) Nichteinhaltung von Installations- und Wartungsvorschriften oder Beanspruchung des Produkts über die im Benutzerhandbuch oder auf der Website des Verkäufers angegebenen Werte hinaus, (3) Änderungen oder Modifikationen durch andere Parteien als den Hersteller, (4) unsachgemäße Verwendung, Missbrauch, Vernachlässigung, Unfälle, höhere Gewalt, Terrorismus oder (5) nicht ordnungsgemäße Verwendung des Produkts gemäß, die nicht den im Benutzerhandbuch enthaltenen Anleitungen entspricht, (7) andere Ursachen, die außerhalb der Kontrolle des Verkäufers liegen, nachdem das Produkt an den autorisierten Vertreter des Verkäufers geliefert wurde.

### Weitere Ausschlüsse

Diese Garantie erstreckt sich nicht auf Stahlseile, Kunststoffseile, Seifenster, drahtlose Fernbedienungen oder äußere Beschichtungen nach einem Zeitraum von dreißig (30) Tagen nach dem Kaufdatum.

BPE Limited ist nicht für indirekte Schäden oder Folgeschäden verantwortlich oder haftbar. Bei derartigen Folgeschäden kann es sich unter anderem um entgangene Gewinne, Nutzungsausfall, Ausfallzeiten oder Schäden an der Ausrüstung anderer Personen handeln.

BPE Limited behält sich das Recht vor, das Produktdesign ohne vorherige Ankündigung zu ändern. BPE Limited behält sich das Recht vor, Teile oder das gesamte Gerät durch ein neueres Modell mit der gleichen Funktion zu ersetzen.

## TECHNISCHE DATEN

## 10NHSY

<b>Bemessungslinienzug</b>	10000 lbs (4536 kgs)
<b>Motorverschiebung</b>	65 ml/r
<b>Öffluss</b>	15-45L/min
<b>Druck</b>	12.5Mpa
<b>Untersetzungsverhältnis</b>	25.5:1
<b>Kabel (Durchmesser × L)</b>	Ø13/32"×83.7' (Ø10.2mm×25.5m)
<b>Trommelgröße(Dia.×L)</b>	Ø2.8 "×8.6" (Ø72mm×219mm)
<b>Muster der Befestigungsschrauben</b>	10 "×4.5 " (254mm×114.3mm) 4-M12
<b>Gesamtabmessungen (L×B×H)</b>	20.4"×8.1"×9.7" 519mm ×206mm ×246mm
<b>Nettogewicht lbs(kg)</b>	117 (53)

## Zug und Druck (erste Schicht)

## Durchfluss und Geschwindigkeit (erste Schicht)

Seilzug lbs (kg)	Druck Mpa(Psi)	Durchfluss G/min (L/min)	Liniengeschwindigkeit ft/min(m/min)
0	2.0(290.1)	1.3(5.0)	2.3 (0.7)
3000(1361)	4.5(652.7)	2.6(10.0)	4.6(1.4)
6000(2722)	6.8(986.2)	5.3(20.0)	8.9(2.7)
9000(4082)	9.0(1305.3)	9.2(35.0)	15.1(4.6)
10000(4536)	12.5(1812.9)	10.6(40.0)	17.4(5.3)

## Leitungszug, Kabelkapazität und pro Lage

Lage Drahtseil	Nennlinienzug lbs(kg)	Gesamtseil auf Trommelfuß (m)
1	10000(4536)	16.4(5.0)
2	8012(3634)	37.2(11.3)
3	6683(3031)	60.9(18.6)
4	5732(2600)	83.7(25.5)



## TECHNISCHE DATEN

## 15NHSY

<b>Bemessungslinienzug</b>	15000 lbs (6804 kgs)
<b>Motorverschiebung</b>	80ml/r
<b>Öffluss</b>	5-60L/min
<b>Druck</b>	13Mpa
<b>Untersetungsverhältnis</b>	33.4:1
<b>Kabel (Durchmesser × L)</b>	Ø15/32"×87' (Ø12mm×26.5m)
<b>Trommelgröße(Dia.×L)</b>	Ø3.5"×8.5" (Ø89mm×217mm)
<b>Muster der Befestigungsschrauben</b>	10 "×4.5" (254mm×114.3mm) 4-M12
<b>Gesamtabmessungen (L×B×H)</b>	21.4"×8.9"×10.3" 544mm ×226mm ×262mm
<b>Nettogewicht lbs(kg)</b>	152 (68.8)

## Zug und Druck (erste Schicht)

Seilzug lbs (kg)	Druck Mpa(Psi)
0	2.0(290.1)
5000(2268)	4.3(623.7)
10000(4536)	8.7(1261.8)
12000(5443)	10.0(1450.3)
15000(6804)	13.0(1885.4)

## Durchfluss und Geschwindigkeit (erste Schicht)

Durchfluss G/min (L/min)	Liniengeschwindigkeit ft/min(m/min)
1.3(5.0)	1.6(0.5)
2.6(10.0)	3.3(1.0)
5.3(20.0)	6.6(2.0)
7.9(30.0)	9.8(3.0)
15.9(60.0)	19.7(6.0)

DE

## Leitungszug, Kabelkapazität und pro Lage

Lage Drahtseil	Nennlinienzug lbs(kg)	Gesamtseil auf Trommelfuß (m)
1	15000(6804)	18.0(5.5)
2	12120(5498)	41.7(12.4)
3	10168(4612)	65.9(20.1)
4	8757(3972)	86.9(26.5)

## INTRODUCTION

Félicitations pour votre achat de treuil. Nous concevons et construisons des treuils selon des spécifications strictes. Avec une utilisation et un entretien appropriés, votre treuil devrait vous apporter des années de service satisfaisant.

Tout est mis en œuvre pour assurer l'exactitude et le caractère exhaustif des informations de ce manuel au moment de la publication. Nous nous réservons le droit de modifier, d'altérer et/ou d'améliorer le produit et ce document à tout moment, sans préavis.

## DÉFINITIONS DE SÉCURITÉ

Le treuil peut développer des forces de traction considérables. S'il est utilisé de façon non sécuritaire ou inadéquate, il peut entraîner des dommages matériels, des blessures graves ou le décès. Tout au long de ce manuel, vous trouverez les symboles suivants pour les précautions, les avertissements et les dangers. Portez une attention particulière aux remarques précédées de ces symboles, car elles sont rédigées pour votre sécurité. Enfin, le fonctionnement sécurisé de ce dispositif repose sur vous, l'opérateur.

### DANGER

DANGER indique une situation de danger qui, si elle ne peut être évitée, résultera en le décès ou des blessures graves.

### AVERTISSEMENT

AVERTISSEMENT indique une situation de danger qui, si elle ne peut être évitée, pourrait résulter en le décès ou des blessures graves.

### PRÉCAUTION

PRÉCAUTION indique une situation de danger qui, si elle ne peut être évitée, pourrait résulter en des blessures mineures ou modérées.

### REMARQUE

REMARQUE indique des informations considérées comme importantes, mais non liées à un danger (par ex. des messages concernant des dégâts matériels).

## CONNAÎTRE VOTRE TREUIL

Votre treuil est une pièce mécanique puissante. Il est important que vous compreniez les bases de son fonctionnement et ses spécifications afin que son utilisation se fasse en toute confiance et sécurité. Vous trouverez ci-dessous les composants de votre treuil et leurs utilisations.

1. Ce treuil est conçu pour offrir une ligne de traction maximale avec seulement une couche de câble enroulé sur le tambour de treuil (la première couche).
2. Moteur : Le moteur est alimenté par du fluide hydraulique et alimente l'ensemble d'engrenages qui fait tourner le tambour et enroule le câble métallique dans les deux sens..
3. Tambour de treuil : Le tambour de treuil est le cylindre sur lequel le câble métallique est rangé. Il est être enroulé en mode In (entrée) ou Out (sortie) en utilisant la télécommande du câble.
4. Câble métallique : Votre treuil possède un câble aérien galvanisé ou un câble synthétique conçu spécifiquement pour la capacité de charge de la traction nominale de la ligne de ce treuil. Le câble métallique s'introduit par le dessous du tambour à travers le guide-câble fourni. Il présente une boucle à l'extrémité pour accepter le crochet de la chape.
5. Guide-câble(Inclus) : Quand vous utilisez ce treuil à un angle, le guide-câble sert de guide au câble sur le tambour et minimise les dommages causés au câble par l'abrasion sur le support du treuil ou les brides du tambour.
6. Système d'ensemble d'engrenage ; Les engrenages de réduction convertissent la puissance du moteur du treuil en des forces de traction extrêmes.
7. Système de freinage externe : L'action de freinage est automatiquement appliquée au treuil quand le moteur du treuil est arrêté ou en cas de charge sur le câble métallique. Ceci est effectué par un frein mécanique externe séparé qui applique l'action de freinage. (Les freins ne sont PAS conçus pour être des dispositifs de sécurité et les câbles du treuil ne doivent jamais être laissés attachés quand le véhicule/l'équipement est transporté).
8. Embayage d'enroulement libre : L'embayage permet à l'opérateur de désengager manuellement (« CLUTCH OUT ») le tambour d'enroulement du train d'engrenage. Ceci s'appelle enroulement libre. Le fait d'embrayer (« EMBRAYAGE ») verrouille le treuil dans le système d'engrenage.
9. Canal de montage universel pour lit plat : (Optionnel) Il est possible qu'un canal de montage pour lit plat soit fourni en option avec votre treuil, qui peut être monté sur la plupart des surfaces plates comme les remorques, lits de camion et structures, etc. Le canal de montage possède également un certain nombre de trous de montage et de trous pour accepter votre guide-câble.
10. Poulie/Bloc d'arrachage : (Optionnel) Si un bloc d'arrachage est fourni avec votre treuil, pouvant doubler la puissance de traction du treuil ou changer le sens de traction sans endommager le câble métallique. Nous vous recommandons d'utiliser une ligne double et un bloc d'arrachage pour tracter plus de 70 % de la traction nominale de la ligne.

## INSTRUCTIONS IMPORTANTES DE SÉCURITÉ

### DANGER

N'EXCÉDEZ PAS LA CAPACITÉ NOMINALE.

#### USAGE INTERMITTENT UNIQUEMENT - REFROIDISSEMENT ENTRE LES UTILISATIONS.

Ne **PAS** utiliser le treuil pour soulever/déplacer des personnes ou des animaux vivants.

Un minimum de cinq tours de câble autour du fût de tambour est nécessaire pour tracter et maintenir la charge nominale. La pince de câble n'est pas conçue pour maintenir la charge dans les 5 tours de câble autour du tambour (habituellement marqué en rouge à l'extrémité tambour du câble).

### DANGER

Restez, vous-même ainsi que les autres personnes, à une DISTANCE SÉCURISÉE du côté du câble en cas de tension.

Ne **JAMAIS** se tenir ou marcher sur un câble ou près d'un câble sous charge. L'utilisation d'une housse de treuil est fortement recommandée.

Ne **PAS** déplacer le véhicule pour tirer une charge (traction) sur le câble de treuil. Ceci pourrait résulter en une casse du câble.

### DANGER

Ne **PAS** excéder la traction nominale maximum. Évitez une « charge de choc » en utilisant la télécommande du câble par intermittence pour rattraper le mou du câble métallique. La « charge de choc » peut dépasser de loin la capacité nominale du câble métallique et du tambour et endommager le treuil et le frein. Ceci annulera toute garantie.

### DANGER

Ne **PAS** utiliser le treuil comme dispositif d'arrimage, il n'est pas conçu pour cela. Cela endommagera le treuil et le frein, ce qui annulera toute garantie.

Ne **PAS** excéder les tractions nominales de ligne maximum indiquées dans les tableaux.

Ne **PAS** utiliser comme palan. Ne pas utiliser pour le levage en hauteur.

### DANGER

Ne **JAMAIS** couper, souder ou modifier toute pièce du treuil ou du câble. Ceci annulera toute garantie.

### DANGER

Lors du rembobinage du câble, assurez-vous que le câble s'enroule en position sous le vent, le câble entrant dans le tambour par le bas et non par le haut. Pour rembobiner correctement, et en portant des gants, maintenez une légère tension sur le câble tout en appuyant sur le bouton de la télécommande pour rétracter le câble. En marchant vers le treuil, ne **JAMAIS** laisser le câble du treuil glisser entre vos doigts ou vos mains.

Ne **PAS** mettre vos mains à 12" (30 cm) du treuil lors du rembobinage. Éteignez le treuil et répétez la procédure jusqu'à ce qu'il ne reste que quelques pieds de câble. Déconnectez la télécommande et terminez le rembobinage à la main en faisant pivoter le tambour manuellement, avec l'embrayage débrayé. Gardez les mains à distance du guide-câble et du tambour lorsque le treuil est alimenté.

### DANGER

La non-lecture et la non-compréhension de ces avertissements peuvent entraîner des blessures corporelles et/ou des dommages matériels.

Portez toujours des gants pour vous protéger les mains lorsque vous manipulez un câble ou une corde. Ne laissez jamais le câble filer entre vos mains.

Ne rebranchez **JAMAIS** le câble sur lui-même.

Placez toujours des blocs/chocs/brides sur les roues du véhicule/de l'équipement lorsqu'il se trouve sur une pente et lors du transport.

Les modifications, altérations ou déviations du treuil ne sont pas autorisées par le fabricant et NE DOIVENT PAS être effectuées. Ceci annulera toute garantie.

La durée des tractions au treuil doit être aussi courte que possible. Si le moteur devient désagréablement chaud au toucher, arrêtez immédiatement le treuil et laissez-le refroidir pendant environ 8 minutes. N'actionnez pas le treuil pendant plus de 2 minutes à ou proche de la charge nominale maximum sans refroidissement pendant 8 minutes.

### DANGER

Si le moteur cale, **CESSEZ** d'actionner le treuil. Les treuils électriques sont conçus et fabriqués pour une utilisation intermittente. Ils doivent être utilisés en fonction de leurs cycles de fonctionnement.

Ne **JAMAIS** relâcher l'embrayage d'enroulement libre quand une charge est présente sur le treuil, car la charge fera demi-tour.

Utilisez un crochet de sécurité pour les mains lorsque vous manipulez le crochet pour enrouler ou dérouler le câble métallique.

**REMARQUE**

Le treuil et ses types dérivés ont une capacité nominale lors de l'enroulement de la première couche de câble sur le tambour. Une surcharge peut endommager le treuil/le moteur/le câble métallique.

Pour les charges supérieures à 70 % de la traction nominale de la ligne, nous recommandons d'utiliser le bloc de poulie/bloc d'arrachage pour doubler la ligne de câble métallique et réduire la tension. Ceci aidera de deux manières :

Cela réduira le nombre de couches de câble sur le tambour et réduira la charge sur le câble métallique jusqu'à 50 %. Lors du doublement de la ligne jusqu'au véhicule, attachez-la au cadre ou à une autre partie porteuse de charge.

**REMARQUE**

Le moteur du véhicule doit tourner pendant l'opération du treuil pour minimiser la décharge de la batterie et maximiser la puissance et la vitesse du treuil. Si le treuil est utilisé pendant une longue durée avec le moteur éteint, la batterie peut se vider et être trop faible pour redémarrer le moteur. Si cela se produit, arrêtez immédiatement le treuil, faites démarrer le véhicule et rechargez la batterie.

**REMARQUE**

Apprenez à connaître le treuil avant de devoir l'utiliser. Nous vous recommandons d'effectuer quelques essais pour vous familiariser avec les techniques de gréement, le bruit que produit le treuil sous diverses charges et la façon dont le câble s'enroule autour du tambour, etc.

INSPECTEZ le câble métallique et l'équipement avant chaque utilisation. Un câble effiloché ou endommagé doit immédiatement être remplacé. Utilisez uniquement un câble de rechange identique du fabricant, avec les spécifications exactes. (Les câbles ne sont pas couverts par la garantie offerte.)

INSPECTEZ l'installation du treuil et les boulons pour s'assurer que tous les boulons sont serrés avant chaque opération.

**REMARQUE**

Rangez le câble de télécommande dans votre véhicule ou dans un endroit sûr.

Ne rebranchez jamais le câble de treuil sur lui-même. Ceci endommagerait le câble. Utilisez toujours une poulie, un bloc d'arrachage, une courroie ou une chaîne de force appropriée comme indiqué dans les illustrations.

**REMARQUE**

Tout treuil semblant être défectueux, endommagé, usé ou fonctionnant anormalement DOIT ÊTRE MIS HORS SERVICE JUSQU'À RÉPARATION, REMPLACEMENT OU RÉVISION. Il est recommandé de faire effectuer les réparations nécessaires dans un centre de réparation agréé par le fabricant UNIQUEMENT.

**REMARQUE**

Tirez uniquement sur les zones du véhicule comme spécifié par le fabricant du véhicule.

- Seuls les accessoires et/ou adaptateurs fournis par le fabricant doivent être utilisés.

**ATTENTION**

Lors de l'utilisation de l'outil, les précautions de sécurité de base doivent toujours être respectées afin de réduire le risque de blessures corporelles et de dégâts sur l'équipement. Lisez toutes ces instructions avant d'utiliser cet outil !

**AVERTISSEMENT**

Tenez les enfants à l'écart. N'autorisez jamais les enfants à se trouver dans la zone de travail. Ne les laissez pas manipuler les machines, outils, rallonges électriques ni utiliser cet outil.

**AVERTISSEMENT**

Stockez les équipements inutilisés. Lorsqu'ils ne sont pas utilisés, les outils doivent être rangés dans un endroit sec pour éviter la rouille. Enfermez toujours les outils et conservez-les hors de portée des enfants.

**ATTENTION**

Habillez-vous correctement. Ne portez pas de vêtements amples ni de bijoux, ils peuvent être happés par les pièces mobiles. Lorsque vous travaillez, il est conseillé de porter des vêtements de protection, non conducteurs d'électricité et des chaussures antidérapantes. Portez un couvre-chef restrictif pour contenir les cheveux longs.

**AVERTISSEMENT**

Utilisez des protections pour les yeux et les oreilles. Portez toujours des lunettes de protection anti-choc. Portez un masque de protection couvrant tout le visage si vous produisez de la limaille métallique ou des copeaux de bois. Portez un masque anti-poussière ou un respirateur lorsque vous travaillez à proximité de métal, de bois, de poussières chimiques et de brumes.

**ATTENTION**

Entretenez soigneusement ce treuil. Conservez cet outil dans un endroit sec et propre pour une meilleure performance, plus sûre. Suivez les instructions pour la lubrification et le remplacement des accessoires. Inspectez périodiquement les câbles du treuil et, s'ils sont endommagés, faites-les remplacer immédiatement par un technicien agréé. Les poignées doivent toujours être propres, sèches et sans aucune huile ni graisse.

Déconnectez ou débranchez la télécommande lorsque vous ne l'utilisez pas.

**⚠ DANGER**

Restez vigilant, regardez ce que vous faites, faites preuve de bon sens. N'utilisez pas d'outil lorsque vous êtes fatigué.

**⚠ AVERTISSEMENT**

**Vérifier si des pièces sont endommagées.** Avant d'utiliser ce treuil, toute pièce qui semble usée ou endommagée doit être soigneusement vérifiée afin de déterminer si elle fonctionnera correctement et remplira la fonction pour laquelle elle a été conçue. Vérifiez qu'il n'y a aucun dégât visible, y compris sur les alignements, le blocage des pièces mobiles et les fixations. Toute pièce endommagée doit être correctement réparée ou remplacée par une personne qualifiée. N'utilisez pas l'outil si l'un des interrupteurs ne s'allume pas ou ne s'éteint pas correctement.

**⚠ AVERTISSEMENT**

**Pièces de rechange et accessoires.** En cas de réparation ou d'entretien, n'utilisez que des pièces de rechange identiques. L'utilisation de toute autre pièce annulera la garantie.

**⚠ AVERTISSEMENT**

**N'utilisez pas l'outil si vous vous trouvez sous l'influence de l'alcool ou de drogues.** Lisez les étiquettes d'avertissement sur les ordonnances pour déterminer si votre jugement ou vos réflexes sont altérés par la prise de médicaments. En cas de doute, n'utilisez pas l'outil.

**⚠ DANGER**

Gardez les mains et le corps à l'écart du chaumard (fente d'entrée du câble) pendant l'utilisation.

Fixez toujours le véhicule en place avant d'utiliser le treuil.

**⚠ AVERTISSEMENT**

Assurez-vous que le treuil est correctement boulonné à une structure (ou un véhicule) qui peut supporter la charge nominale maximale du treuil.

N'utilisez pas d'accessoires inappropriés pour prolonger la longueur du câble du treuil.

**⚠ DANGER**

Ne soulevez jamais de personnes, ne faites jamais passer de charges par-dessus quelqu'un et ne soulevez jamais d'animaux vivants.

Ne vous placez jamais entre le treuil et la charge pendant le fonctionnement.

**⚠ AVERTISSEMENT**

N'appliquez aucune charge sur le treuil lorsque le câble est entièrement déployé, au-delà du repère de sécurité. Gardez au moins 5 tours complets de câble sur la bobine (généralement marqué en rouge sur le câble du treuil à l'extrémité du tambour).

Après avoir déplacé une pièce d'équipement avec le treuil, fixez l'équipement en place. Ne comptez pas sur le treuil pour tenir la charge pendant une période de temps prolongée ou pendant le transport. Les treuils ne sont pas des dispositifs de sécurité. Faire cela annulera toute garantie.

**⚠ ATTENTION**

Examinez le treuil avant de l'utiliser. Les composants peuvent être affectés par l'exposition aux produits chimiques, aux sels et à la rouille.

Ne pas traverser ni passer sous le câble du treuil lorsqu'il est en charge.

Utilisez des gants pour manipuler le câble.

**⚠ AVERTISSEMENT**

N'utilisez jamais le treuil si le câble présente des signes de faiblesse, par exemple des nœuds ou des coudes. Si c'est le cas, vous devez le remplacer immédiatement.

**⚠ DANGER**

Ne déplacez pas votre véhicule avec le câble déployé ou attaché à la charge. Vous pourriez facilement dépasser la capacité du treuil et casser le câble.

Lorsque le véhicule est garé sur une pente, vous devez utiliser des cales.

**⚠ ATTENTION**

Rembobinez toujours correctement le câble après toute utilisation afin d'éviter tout désalignement du câble du treuil lors de la prochaine utilisation.

**⚠ ATTENTION**

Le câble du treuil doit être enroulé sur le tambour sous une charge d'au moins 10 % de la traction nominale du câble. Sinon, les enroulements extérieurs s'emboîteront dans les enroulements intérieurs et endommageront le câble du treuil.

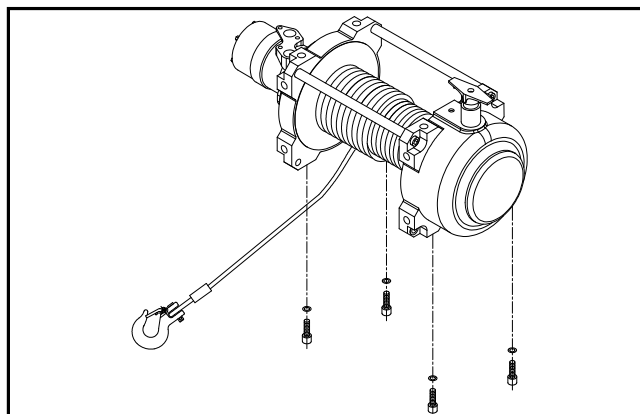
Avant d'utiliser le treuil sous charge, vous devez vérifier le bon fonctionnement du treuil en engageant et en désengageant l'embrayage, en actionnant les commandes directionnelles et les commandes de vitesse. Cela permet de s'assurer que le treuil fonctionne correctement et d'éviter les dégâts involontaires et les blessures. Faire tourner le treuil avant de le charger permet également de s'assurer que les engrenages sont correctement alignés.

**ATTENTION**

Les batteries contiennent des gaz inflammables et explosifs. Portez des lunettes de protection pendant l'installation et retirez tous vos bijoux. Ne vous penchez pas sur la batterie pendant que vous effectuez les connexions.

**ASSEMBLAGE ET MONTAGE DU TREUIL**

- **Installation :** Votre nouveau treuil est conçu avec un modèle de boulon standard pour cette catégorie de treuil. Il est possible de trouver un kit de montage de treuil utilisant ce type de boulon. Si vous ne trouvez pas de kit près de chez vous, peut-être devrez-vous en faire fabriquer un en contactant une société d'ingénierie près de chez vous. Si vous utilisez un canal de montage, vérifiez bien qu'il est monté sur une surface plane pour que les trois sections principales (moteur, tambour et boîtier d'engrenage) soient correctement alignées. Un alignement incorrect du treuil entraînera une répartition inégale de la charge et endommagera le treuil ou l'équipement. Fixez le treuil au véhicule à l'aide de boulons en acier haute résistance. Il doit être aligné et fixé à une partie solide du véhicule (avant ou arrière) où la pleine charge nominale sera uniformément répartie sans causer de dommages au véhicule ou à l'équipement.
- **Montage de la vanne d'équilibrage :** la vanne d'équilibrage fournie devrait déjà être connectée au moteur. Vérifiez que le sens d'installation de la vanne d'équilibrage est conforme au tableau des principes hydrauliques. Sinon, le treuil n'atteindra pas sa capacité de traction nominale et il sera également dangereux de détacher le treuil du câble en cas de charge lourde. Si ceci se produisait, déconnectez simplement la valve d'équilibrage : changez le trou d'huile entre le moteur hydraulique et la valve d'équilibrage pendant que votre treuil fonctionne dans une direction différente, changez A→C1, B→C2 en A→C2, B→C1. Ensuite, reconnectez. Si votre treuil est fourni avec une vanne d'équilibrage, celle-ci aura été connectée au moteur en usine.
- **Raccordements de plomberie :** conservez tous les tuyaux à l'écart de toute zone où la chaleur peut être considérée comme trop élevée, par exemple un tuyau d'échappement, un turbo ou toute pièce mobile. Les lignes ne doivent pas frotter contre des surfaces rotatives, abrasives ou vibrantes. Lors de certaines utilisations, des raccords à 90° sur la vanne directionnelle et le moteur, ou sur la vanne d'équilibrage, sont nécessaires pour rendre le montage du tuyau plus flexible. Après avoir placé la plomberie sur le véhicule, installez les joints toriques sur les valves et les raccords. Serrez bien le couple. Ne serrez pas trop les raccords. Installez les joints toriques sur le moteur du treuil. Serrez bien le couple. Raccordez n'importe quel tuyau de l'orifice A du moteur ou de l'orifice V1 de la soupape d'équilibrage à l'orifice A de la soupape directionnelle, l'orifice B sur le moteur ou l'orifice V2 de la soupape d'équilibrage sur l'orifice B de la soupape directionnelle, l'orifice P de la soupape directionnelle sur l'orifice haute pression de la pompe, l'orifice T de la soupape sur le réservoir. Si nécessaire, raccordez n'importe quel tuyau de la soupape au boîtier de direction. Fixez tous les joints toriques ou joints d'étanchéité du raccord de tube d'origine du véhicule au raccord de tube.

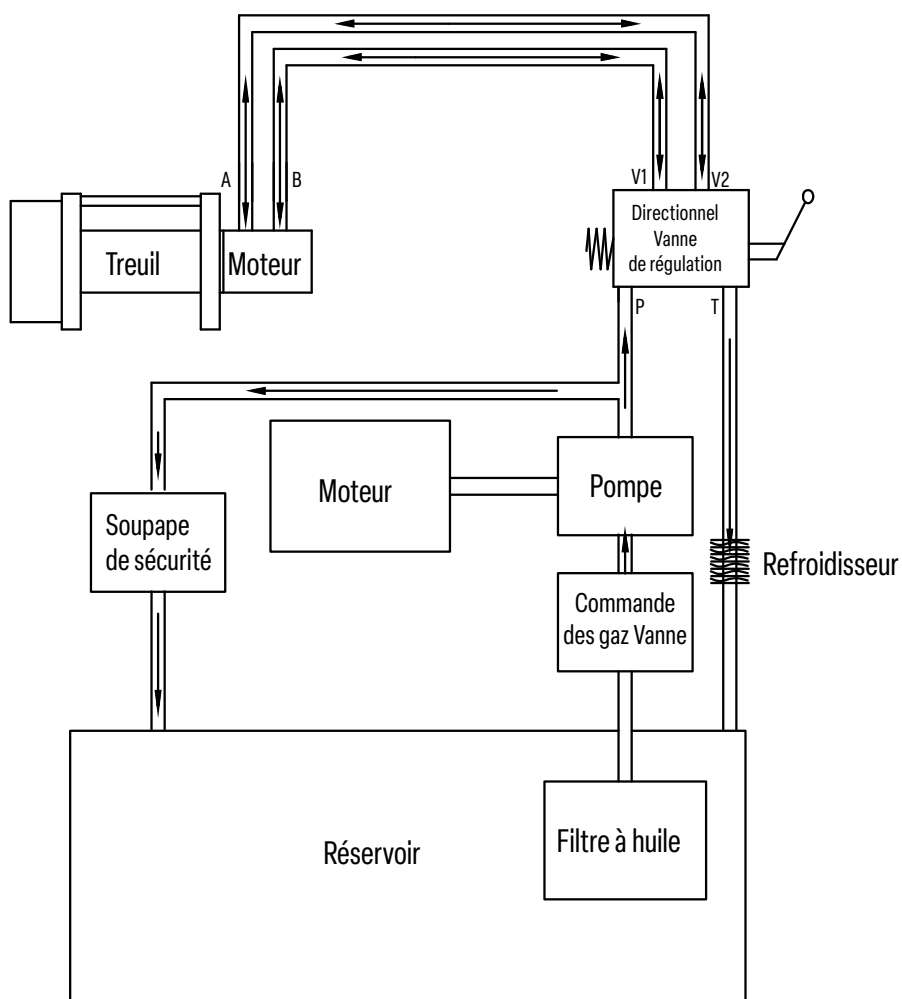
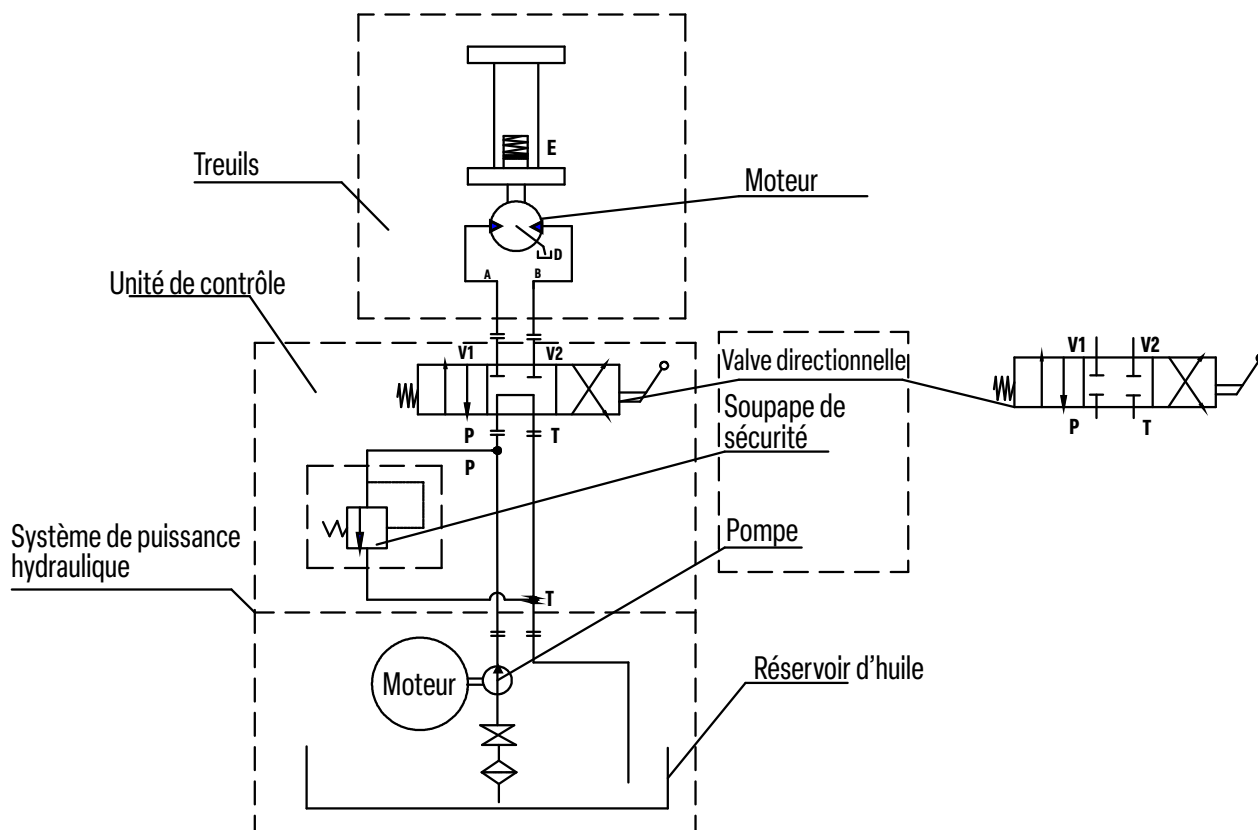
**SCHEMA PRINCIPAL HYDRAULIQUE ET INSTALLATION :**

Le système hydraulique devrait être purgé à ce moment-là. Vous trouverez ci-dessous les instructions relatives à la purge du système hydraulique.

**comment purger le système hydraulique.**

1. Démarrez le moteur.
2. Actionnez le treuil pour tirer environ 1,5 m de câble.
3. Arrêtez le moteur.
4. Vérifiez le niveau du liquide et remplissez si nécessaire.
5. Répétez les étapes 1 à 4 si nécessaire.
6. Démarrez le moteur.
7. Déplacez le câble dans la position souhaitée.
8. Tournez les roues du véhicule cinq fois de la position de verrouillage de droite à la position de verrouillage de gauche pour aider à purger le système hydraulique.
9. Si l'unité de commande manuelle fonctionne à l'envers, il suffit d'échanger les connexions des fils marron et blanc dans la soupape.

Vérifier le bon fonctionnement du treuil. Consultez la section Fonctionnement.



FR



## FONCTIONNEMENT

### ⚠ AVERTISSEMENT

1. Assurez-vous que l'embrayage est totalement engagé avant de commencer toute opération de treuillage
2. Restez à l'écart et éloignez-vous des charges levées
3. Restez à l'écart du câble lorsque vous le tirez ; n'essayez pas de le guider
4. Au moins 5 tours de câble autour du tambour

### Informations générales

Les équipements standard du treuil comprennent un réducteur à engrenages, un moteur hydraulique à tambour, une vanne solénoïde, un interrupteur, un connecteur femelle et des raccords de plomberie. Le treuil reçoit sa pression de la pompe de direction assistée existante du véhicule ou d'une autre puissance hydraulique. Le treuil est totalement étanche, il peut être utilisé sous l'eau.

Il existe plusieurs autres façons d'alimenter le treuil en électricité. La première façon est d'utiliser une pompe individuelle pour l'ingénierie. La deuxième façon est de fournir la pression hydraulique du treuil avec la pompe de direction assistée du véhicule (voir les instructions d'installation).

- Utilisez une pompe individuelle appropriée, qui n'est pas équipée d'une soupape de détente d'huile. Elle fournira la pression à la fois pour le boîtier de direction et le treuil.
- Utilisez une pompe combinée avec une vanne d'huile intégrée. La vanne d'huile fournit deux types de débit en fonction des différences de demande. Un type de débit sera constant et devra être utilisé avec le système de direction. L'autre fournira une pression plus élevée et est destinée à une utilisation d'ingénierie.

### ⚠ ATTENTION

Le système hydraulique a besoin d'une soupape de sécurité pour assurer que le système est sûr. S'il n'y a pas de soupape de sécurité dans le système, vous courrez un grave danger et le système ne peut pas fonctionner. Si votre treuil est entraîné par un système hydraulique existant, la soupape de sécurité existe également.

### Démonstration du fonctionnement du treuil :

1. Débrayez l'embrayage en le mettant en position 'DÉBRAYÉ'.
2. Saisissez l'assemblage du câble et tirez sur le câble jusqu'à obtenir la longueur souhaitée, puis fixez-le à l'objet à tirer.

### ⚠ ATTENTION

Laissez toujours au moins cinq tours de câble sur le tambour. Passez en revue les avertissements et les précautions de sécurité du treuil avant de continuer.

3. Réengagez l'embrayage en tournant l'ensemble de l'embrayage sur la position 'EMBRAYÉ', si nécessaire.

4. Testez le treuil dans les deux sens. Tournez le treuil dans chaque sens pendant une ou deux secondes environ pendant que l'embrayage s'engage totalement et automatiquement.
5. En vous tenant à l'écart de la voie de remorquage, tenez et actionnez l'interrupteur de votre choix. Attendez que le moteur s'arrête avant d'inverser le sens de rotation.

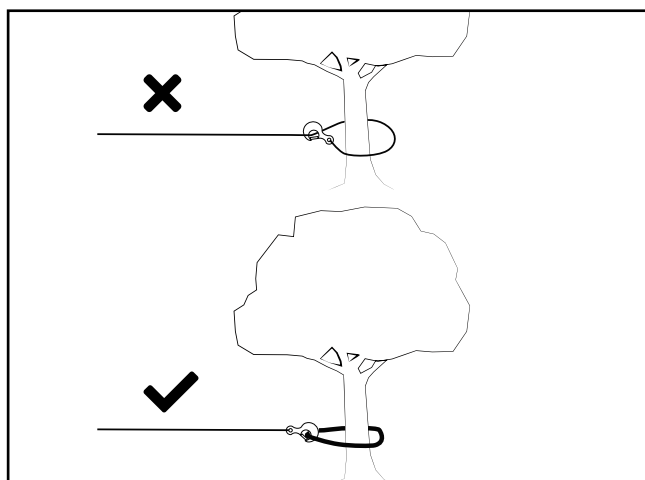
## TECHNIQUES DE GRÈEMENT

Trouvez un point d'ancrage approprié, comme un tronc d'arbre ou un rocher solide.

Utilisez TOUJOURS un harnais ou une sangle comme point d'ancrage sur un objet. N'utilisez jamais le câble ou le crochet comme point d'ancrage fixé à un objet.

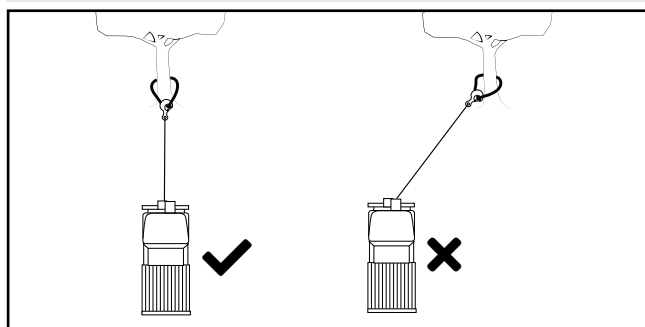
### ⚠ PRÉCAUTION

N'attachez JAMAIS le crochet de chape au câble de treuil, car cela pourrait endommager le câble.



### ⚠ PRÉCAUTION

Ne procédez pas à un treuillage depuis un angle aigu car le câble métallique se coincera d'un côté du tambour, ce qui endommagera le câble métallique (nid d'oiseau) et causera des dommages importants au treuil et à l'équipement éventuel.





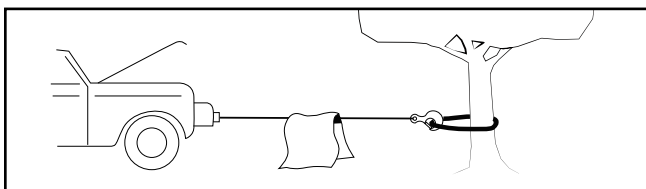
**REMARQUE**

De courtes tractions depuis un angle peuvent être utilisées pour redresser le véhicule/l'équipement. Les tractions longues doivent être effectuées avec le câble en ligne droite vers le treuil/le véhicule, voir l'illustration ci-dessus

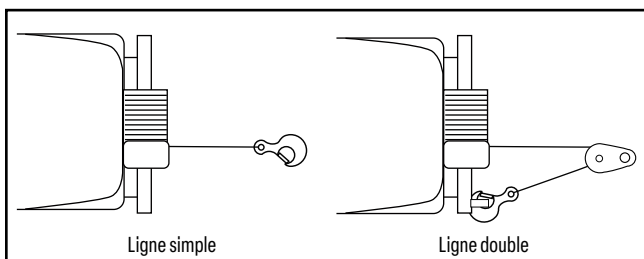
**PRÉCAUTION**

Lorsque vous tirez une charge lourde, placez une couverture ou une veste sur le câble métallique à cinq ou six pieds du crochet car, en cas de rupture du câble, elle amortira la force.

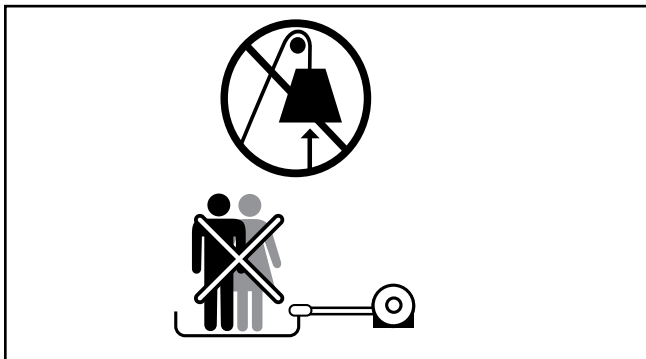
Pour plus de protection, ouvrez le capot du véhicule comme indiqué.

**REMARQUE**

Pour les tractions supérieures à 70 % de la traction nominale de la ligne, nous recommandons d'utiliser le bloc de poulie/bloc d'arrachage pour doubler la ligne de câble métallique. Ceci réduit la charge sur le treuil et la tension sur le câble.

**DANGER**

N'utilisez jamais le treuil pour le levage aérien, le levage de personnes, le déplacement de personnes ou le déplacement d'animaux vivants.

**D'ENTRETIEN :****LUBRIFICATION**

- toutes les pièces mobiles du treuil ont été lubrifiées en usine avec de la graisse au lithium haute température. Aucune lubrification interne n'est nécessaire.
- Lubrifiez périodiquement l'ensemble du câble en utilisant une huile pénétrante légère.

**REMPLACEMENT DE L'ASSEMBLAGE DU CÂBLE**

Si le câble métallique est usé ou commence à montrer des signes de rupture des torons, il doit être remplacé avant d'être réutilisé.

1. Tourner l'embrayage sur la position 'DÉBRAYÉ'.
2. Déployez le câble sur toute sa longueur. Notez comment le câble existant est connecté au tambour.
3. Retirez l'ancien câble et fixez le nouveau comme le câble d'alimentation relié au tambour. Insérez l'extrémité du nouveau câble et fixez la vis en la vissant fermement.
4. Tourner l'embrayage sur la position "EMBAYÉ".
5. Enroulez le câble sur le tambour en veillant, lors des cinq premiers tours, à ce qu'il ne soit pas plié. Ensuite, le câble du treuil doit être enroulé sur le tambour sous une charge d'au moins 10 % de la traction nominale de la ligne.

**AVERTISSEMENT**

Ne remplacez le câble métallique que par la pièce de rechange identique recommandée par le fabricant. Les câbles ne font partie d'aucune garantie offerte et il est de la seule responsabilité de l'opérateur/utilisateur d'entretenir ou de changer le câble. d'entretenir ou de changer.

FR

**PRÉCAUTIONS D'ENTRETIEN**

1. Une utilisation correcte du treuil hydraulique peut augmenter la durée de vie du treuil de plusieurs années.
2. Il est fortement recommandé d'utiliser des rondelles à ressort avec les boulons de montage. Les boulons de montage et le câble métallique doivent être inspectés régulièrement pour vérifier qu'ils ne sont pas desserrés ; s'ils le sont, resserrez-les toujours avant d'utiliser le treuil.
3. Rembobinage ou remplacement du câble métallique : à l'aide de la vanne sélectrice, rembobinez le tambour dans une position appropriée, retirez ou introduisez le câble dans le trou situé sur le bord du tambour. Insérez la plaque d'acier et les vis, puis serrez-les. Démarrez le treuil et en utilisant la charge minimale, enroulez le câble métallique de manière propre et bien rangé.
4. Faites attention à l'orientation des câbles d'acier sur le tambour d'enroulement. Si la corde est pliée, effilochée ou endommagée de quelque manière que ce soit, elle DOIT être remplacée immédiatement avec une pièce d'origine. Si elle n'est pas remplacée par une pièce d'origine, toute garantie sera annulée.

5. En fonctionnement normal, la force de traction doit être égale ou inférieure à la capacité nominale. Une surcharge de la capacité du treuil n'est pas autorisée. La force de traction maximale du treuil est environ 1,25 fois supérieure à sa capacité nominale. Si elle est dépassée, cela peut endommager le treuil et (ou) l'équipement ou entraîner des blessures graves. Ceci annulera toute garantie.
6. La pression d'ouverture de la vanne d'équilibrage doit être supérieure de 0,1-0,4 Mpa à celle du frein. Sinon, le treuil tremblera lors de sa décélération. Notre société a testé le levage et réglé les vannes d'équilibrage de chaque treuil avant qu'il ne quitte l'usine. Par conséquent, les utilisateurs/opérateurs n'ont à réaliser aucun réglage, mais s'il y a des cas particuliers où les utilisateurs ont besoin de le faire, ils peuvent faire tourner la vis de réglage vers l'extérieur, ce qui augmentera la pression d'ouverture. N'essayez jamais de régler la vanne d'équilibrage vous-même ; faites appel à un spécialiste ou à un agent de service.
7. En cas d'augmentation anormale de la pression dans le système, les utilisateurs doivent immédiatement cesser d'utiliser le treuil. Vérifiez s'il y a une fuite d'huile et si le moteur hydraulique fonctionne normalement. En général, lorsque le moteur hydraulique fonctionne sous charge, la fuite d'huile du tuyau ne doit pas dépasser 1 m/m. Une fuite plus importante est une preuve que le moteur hydraulique est endommagé et doit être réparé ou remplacé immédiatement. Sinon, si le moteur hydraulique est en bon état, vérifiez les autres pièces du système.
8. Vérifiez le fonctionnement du treuil hydraulique et de ses systèmes régulièrement pendant le travail ou chaque semaine. En cas d'élévation anormale de la température, de fuite, de bruit et de vibration anormaux ou d'une fluctuation de la pression, l'utilisateur doit arrêter immédiatement le treuil pour en vérifier les causes et le remettre en bon état de marche.
9. Prêtez attention à l'huile du réservoir et à son niveau. S'il y a beaucoup de mousse, les utilisateurs doivent arrêter immédiatement pour vérifier s'il y a des fuites d'air à l'entrée d'huile du système hydraulique, vérifier le port de retour de l'huile sous l'eau et si l'huile hydraulique est émulsifiée par l'entrée de l'eau.
10. Si le treuil montre des signes de dégradation des performances, changez l'huile hydraulique. Ne mélangez pas l'huile ancienne avec de l'huile neuve ; remplacez toujours toute l'huile.
11. Mettez de l'huile pour engrenages 90 # dans le réducteur de vitesse du treuil avant de l'utiliser et remplacez l'huile après 100 heures de travail cumulées. Retirez tout d'abord les vis d'arrêt sur le tambour, puis faites rouler lentement le tambour pour que le trou du bloc du tambour pointe vers le trou du bloc du réducteur de l'engrenage planétaire. Retirez délicatement le bouchon à l'aide d'une clé Allen. Vidangez toute l'huile usagée et ajoutez de l'huile neuve. Serrez chaque bouchon.
12. Contrôlez régulièrement le filtre à huile, qui devrait être nettoyé et remplacé régulièrement.
13. Il est strictement interdit de se tenir sous le crochet du treuil.

ce treuil hydraulique, veillez à ne pas faire de rayures ni d'indentations sur les pièces de précision, en particulier sur les surfaces des pièces mobiles et des joints. Réparez ou remplacez immédiatement les pièces endommagées. Avant l'assemblage, toutes les pièces doivent être nettoyées et enduites de graisse au lithium (s'il y a lieu).

## Levage

Il n'est pas recommandé d'utiliser ces treuils pour le levage. Si vous utilisez votre treuil pour le levage, vous devez appliquer un facteur de sécurité de 5:1. Lors de l'utilisation pour le levage, veillez à ce qu'il y ait, à tout moment, au moins une couche sur le tambour et faites attention aux fixations et à la capacité du tambour.

## Stockage

Le treuil hydraulique devrait être stocké dans un entrepôt où l'air est sec et sans gaz corrosif. Ne le placez pas dans un environnement où la température grimpe jusqu'à 50 °C ou descend à -20 °C pour un stockage à long terme. Sinon, le vieillissement des pièces d'étanchéité serait accéléré.

Si le treuil hydraulique est entreposé pour longtemps, l'utilisateur doit vidanger toute l'huile qu'il contient et remplir la machine avec de l'huile de turbine à faible indice d'acidité.

## Révision

Lorsque le treuil hydraulique ne fonctionne pas ou qu'un dysfonctionnement est confirmé, l'opérateur/utilisateur peut vérifier et réparer s'il est qualifié pour le faire. Si l'utilisateur n'est pas en mesure de le faire, il ne doit ni le démonter ni le réparer. Veuillez plutôt contacter un professionnel de la réparation pour la révision. Lors du démontage de

## DÉPANNAGE

Problème	Cause	Solution
Le treuil ne tourne pas	Pression insuffisante du système hydraulique.	Vérifiez que la soupape de sécurité régule la pression.
	Mauvaises connexions du système hydraulique, pas d'huile dans le moteur.	Vérifiez tous les équipements de plomberie en consultant le tableau des principes de fonctionnement.
		Valve de contrôle directionnel défectueuse.
Le moteur fonctionne mais le tambour ne tourne pas	L'embrayage n'est pas engagé	Tournez l'embrayage en position haute ou basse vitesse. Si le problème persiste, demandez à un technicien de vérifier et de réparer.
Le moteur tourne lentement ou sa puissance n'est pas normale	Pression ou débit d'huile insuffisant	L'amortissement ne convient pas ou est défectueux. Installez un nouvel amortissement ou un qui convient
	Liquide insuffisant dans le système	Vérifiez le niveau des liquides. Ajoutez du liquide jusqu'à ce que tout soit plein.
	Mauvaise direction de fonctionnement du treuil.	Changez la connexion de la vanne d'équilibrage et du moteur.
Le treuil ne peut pas dérouler sans à-coups le câble métallique avec la charge.	Mauvaise direction de fonctionnement du treuil.	Changez la connexion de la vanne d'équilibrage et du moteur.

## GARANTIE\*

**BPE Limited sont les seuls distributeurs de TREUILS WARRIOR.**

BPE Limited (le vendeur) garantit à l'acheteur que tout composant mécanique d'un TREUIL WARRIOR d'origine (le produit) est exempt de défauts de fabrication et de matériaux pendant toute la durée de vie du treuil.

Les composants électriques (y compris le moteur, le contacteur et les commutateurs) seront exempts de défauts de matériaux et de fabrication pendant une période de (3) trois ans (36 mois) à compter de la date d'achat prouvable initiale.

Tout produit que BPE Limited jugera défectueux sera réparé ou remplacé à sa seule discrétion et sans frais pour l'acheteur dès que ce dernier se sera conformé à la présente procédure. Le Vendeur ou son Agent autorisé peut facturer des frais raisonnables pour les pièces et la main-d'œuvre pour les réparations non couvertes par la garantie à vie. Les garanties énoncées dans les présentes sont exclusives et remplacent toutes les autres garanties, qu'elles soient orales ou écrites, expresses ou implicites.

### Dans le cas où votre produit serait défectueux pendant votre période de garantie

Pour obtenir un entretien ou une réparation au titre de la présente garantie, l'acheteur doit envoyer par la poste, expédier ou livrer à l'adresse du fabricant, aux frais de l'acheteur, (1) le produit, (2) une description écrite du problème, (3) le nom, l'adresse et le numéro de téléphone de l'acheteur, (4) une copie de la facture d'achat originale ou

BPE Limited peut organiser une méthode de collecte appropriée (des frais s'appliquent).

### Exclusions de la garantie

La garantie ne couvre pas le coût de la main-d'œuvre ou les frais de transport/expédition pour le remplacement ou l'installation de la ou des pièces défectueuses.

Cette garantie ne s'applique pas aux défauts du Produit causés par : (1) l'usure normale, (2) le non-respect de l'installation, de l'entretien ou l'exposition du produit à des charges supérieures à celles indiquées dans le manuel du propriétaire ou détaillées sur le site Web du Vendeur, (3) l'altération ou la modification par des parties autres que le fabricant, (4) la mauvaise utilisation, l'abus, la négligence, les accidents, les catastrophes naturelles, le terrorisme ou (5) le défaut d'utilisation correcte de l'article conformément au manuel du propriétaire (7) d'autres causes indépendantes de la volonté du Vendeur après la livraison du Produit à l'Agent autorisé du Vendeur.

### Autres exclusions

Cette garantie ne couvre pas les câbles en acier, les câbles synthétiques, les guide-câbles, les commandes à distance sans fil ou toute finition extérieure dans les trente (30) jours à compter de l'achat.

BPE Limited ne peut être tenu responsable de tout dommage indirect ou consécutif. Ces dommages indirects peuvent inclure, sans s'y limiter, des pertes de profits ou d'utilisation, des temps d'arrêt ou des dommages à l'équipement d'autres personnes.

BPE Limited se réserve le droit de modifier la conception du Produit sans préavis. BPE Limited se réserve le droit de remplacer toute pièce ou unité entière par un modèle plus récent de même fonction.

## SPÉCIFICATIONS 10NHSY

<b>Traction nominale de la ligne</b>	10000 lbs (4536 kgs)
<b>Déplacement du moteur</b>	65 ml/r
<b>Débit d'huile</b>	15-45L/min
<b>Pression</b>	12.5Mpa
<b>Rapport de réduction de l'engrenage</b>	25.5:1
<b>Câble (Dia.× L)</b>	Ø13/32"×83.7' (Ø10.2mm×25.5m)
<b>Taille du tambour (Dia.× L)</b>	Ø2.8 "×8.6" (Ø72mm×219mm)
<b>Modèle de boulons de montage</b>	10 "×4.5 " (254mm×114.3mm) 4-M12
<b>Dimensions générales (L×I×H)</b>	20.4"×8.1"×9.7" 519mm×206mm×246mm
<b>Poids net lbs (kg)</b>	117 (53)

### Traction / Pression (Première couche)

Traction de ligne lbs (kg)	Pression Mpa (Psi)
0	2.0(290.1)
3000(1361)	4.5(652.7)
6000(2722)	6.8(986.2)
9000(4082)	9.0(1305.3)
10000(4536)	12.5(1812.9)

### Débit / Vitesse (Première couche)

Débit G/min (L/min)	Vitesse de ligne ft/min (m/min)
1.3(5.0)	2.3 (0.7)
2.6(10.0)	4.6(1.4)
5.3(20.0)	8.9(2.7)
9.2(35.0)	15.1(4.6)
10.6(40.0)	17.4(5.3)

### Tirage de ligne, capacité du câble par couche

Couche de câble métallique	Traction nominale de la ligne lbs (kg)	Longueur totale de la corde sur le tambour (m)
1	10000(4536)	16.4(5.0)
2	8012(3634)	37.2(11.3)
3	6683(3031)	60.9(18.6)
4	5732(2600)	83.7(25.5)

## SPÉCIFICATIONS 15NHSY

<b>Traction nominale de la ligne</b>	15000 lbs (6804 kgs)
<b>Déplacement du moteur</b>	80ml/r
<b>Débit d'huile</b>	5-60L/min
<b>Pression</b>	13Mpa
<b>Rapport de réduction de l'engrenage</b>	33.4:1
<b>Câble (Dia.×L)</b>	Ø15/32"×87' (Ø12mm×26.5m)
<b>Taille du tambour (Dia.×L)</b>	Ø3.5 "×8.5" (Ø89mm×217mm)
<b>Modèle de boulons de montage</b>	10 "×4.5" (254mm×114.3mm) 4-M12
<b>Dimensions générales (L×I×H)</b>	21.4"×8.9"×10.3" 544mm ×226mm ×262mm
<b>Poids net lbs (kg)</b>	152 (68.8)

### Traction / Pression (Première couche)

Traction de ligne lbs (kg)	Pression Mpa (Psi)
0	2.0(290.1)
5000(2268)	4.3(623.7)
10000(4536)	8.7(1261.8)
12000(5443)	10.0(1450.3)
15000(6804)	13.0(1885.4)

### Débit / Vitesse (Première couche)

Débit G/min (L/min)	Vitesse de ligne ft/min (m/min)
1.3(5.0)	1.6(0.5)
2.6(10.0)	3.3(1.0)
5.3(20.0)	6.6(2.0)
7.9(30.0)	9.8(3.0)
15.9(60.0)	19.7(6.0)

FR

### Tirage de ligne, capacité du câble par couche

Couche de câble métallique	Traction nominale de la ligne lbs (kg)	Longueur totale de la corde sur le tambour (m)
1	15000(6804)	18.0(5.5)
2	12120(5498)	41.7(12.4)
3	10168(4612)	65.9(20.1)
4	8757(3972)	86.9(26.5)

## WPROWADZENIE

Gratulujemy zakupu wciągarki. Projektujemy i budujemy wciągarki zgodnie ze ścisłymi specyfikacjami, a przy prawidłowym użytkowaniu i konserwacji wciągarka powinna zapewnić lata satysfakcjonującej obsługi.

Dołożono wszelkich starań, aby informacje zawarte w niniejszej instrukcji były precyzyjne i wyczerpujące na dzień ich publikacji; ponadto zastrzegamy sobie prawo do wprowadzania zmian, poprawek lub udoskonalień w produkcie i niniejszym dokumencie w dowolnym czasie bez wcześniejszego powiadomienia.

## SYMBOLE BEZPIECZEŃSTWA

Twoja wciągarka może wytwarzać ogromne siły ciągnące i jeśli jest używana w sposób niebezpieczny lub niewłaściwy, może spowodować uszkodzenie mienia, poważne obrażenia lub śmierć. W całej instrukcji znajdziesz następujące symbole oznaczające przestrożę, ostrzeżenie i niebezpieczeństwo. Zwróć szczególną uwagę na uwagi poprzedzone tymi symbolami, ponieważ zamieściliśmy je dla Twojego bezpieczeństwa. W końcu bezpieczna obsługa tego urządzenia zależy od operatora, czyli od Ciebie.

### NIEBEZPIECZEŃSTWO

NIEBEZPIECZEŃSTWO oznacza niebezpieczną sytuację, która, jeśli nie zostanie uniknięta, spowoduje śmierć lub poważne obrażenia.

### OSTRZEŻENIE

OSTRZEŻENIE oznacza niebezpieczną sytuację, która, jeśli nie zostanie uniknięta, może doprowadzić do śmierci lub poważnych urazów ciała.

### OSTROŻNIE

OSTROŻNIE oznacza niebezpieczną sytuację, która, jeśli nie zostanie uniknięta, może doprowadzić do pomniejszych lub umiarkowanych urazów ciała.

### UWAGA

UWAGA wskazuje informacje uznawane za istotne, ale niezwiązane z zagrożeniem (np. komunikaty dotyczące uszkodzenia mienia).

## POZNAJ SWOJĄ WCIĄGARKĘ

Twoja wciągarka to urządzenie cechujące się dużą mocą. Ważne jest, aby zrozumieć podstawy jej działania i parametry, aby w razie potrzeby móc z niej korzystać pewnie i bezpiecznie. Poniżej znajduje się lista elementów wciągarki i ich zastosowań.

1. Wciągarka ta została zaprojektowana dla maksymalnego uciążu liny z tylko jedną warstwą liny nawiniętą na bęben wciągarki (pierwsza warstwa).
2. Silnik: Silnik napędzany jest olejem hydraulicznym i dostarcza moc do zespołu przekładni, który obraca bęben i nawija linę w dowolnym kierunku.
3. Bęben wciągarki: Bęben wciągarki to cylinder, na którym jest przechowywana lina stalowa. Można go nawijać lub rozwijać za pomocą zdalnego przełącznika.
4. Lina stalowa: Twoja wciągarka jest wyposażona w ocynkowany kabel lotniczy lub linę syntetyczną zaprojektowaną specjalnie do udźwigu znamionowego tej wciągarki. Lina stalowa jest podawana od spodu bębna przez dostarczoną prowadnicę, na końcu jest zapętłona, aby przyjąć hak widełkowy.
5. Prowadnica (Przyłączony): Podczas używania wciągarki pod kątem prowadnica rolkowa prowadzi linę na bęben i minimalizuje uszkodzenia liny powstające w wyniku ścierania na mocowaniu wciągarki lub kołnierzach bębna.
6. System zespołu przekładni: Przekładnie redukujące przekształcają moc silnika wciągarki w bardzo duże siły uciążu.
7. Zewnętrzny układ hamulcowy: Hamowanie wciągarki następuje automatycznie, gdy silnik wciągarki zostaje zatrzymany lub lina stalowa jest obciążona. Osiąga się to za pomocą oddzielnego zewnętrznego hamulca mechanicznego, który działa hamująco. (Hamulce NIE zostały zaprojektowane jako urządzenia zabezpieczające, a lin wciągarki nigdy nie należy pozostawiać podłączonych, gdy pojazd / urządzenie jest transportowane).
8. Sprzęgło wolnego biegu: Sprzęgło umożliwia operatorowi ręczne odłączenie („CLUTCH OUT”) bębna nawijającego od przekładni zębatej. Nazywa się to wolnym biegiem. Włączenie sprzęgła („CLUTCH IN”) powoduje zablokowanie wciągarki w układzie przekładni.
9. Uniwersalny kanał do montażu na płaskim podłożu: (Opcjonalnie) Być może zakupiłeś wciągarkę z opcjonalnym kanałem do montażu na płaskim podłożu, który można zamontować na większości płaskich powierzchni, takich jak przyczepy, skrzynie ładunkowe, konstrukcje samochodów ciężarowych itp. Kanał montażowy ma również szereg otworów montażowych i otworów do zamocowania prowadnicy rolkowej.
10. Zblocze / zblocze otwierane: (Opcjonalnie) Jeśli wciągarka jest wyposażona w zblocze otwierane, które może podwoić siłę uciążu wciągarki lub zmienić kierunek wciągania bez uszkodzenia liny stalowej. Zalecamy użycie podwójnej liny i zblocza otwieranego w przypadku ciągnięcia powyżej 70% znamionowego uciążu liny.

## WAŻNE INSTRUKCJE DOTYCZĄCE BEZPIECZEŃSTWA

### NIEBEZPIECZEŃSTWO

NIE PRZEKRACZAĆ WYDAJNOŚCI ZNAMIONOWEJ.

**TYLKO DO UŻYTKU PRZERYWANEGO – SCHŁADZAĆ POMIĘDZY UŻYCIAMI.**

**NIE** używać wciągarki do podnoszenia/przenoszenia ludzi lub żywych zwierząt.

Do ciągnięcia i utrzymywania obciążenia znamionowego konieczne jest co najmniej pięć owinięć liny wokół bębna. Zacisk liny został zaprojektowany do utrzymywania ładunku tylko pod warunkiem pięciokrotnego owinięcia liny wokół bębna (zwykle oznaczony na czerwono na końcu bębna kabla).

### NIEBEZPIECZEŃSTWO

Zachowuj wobec siebie i innych **BEZPIECZNĄ ODLEGŁOŚĆ** od boku napiętej liny.

**NIGDY** nie stawaj ani nie przechodź nad liną ani w pobliżu obciążonej liny, zdecydowanie zaleca się używanie osłony wciągarki lub żagla.

**NIE** ruszaj pojazdem, ciągnąc ładunek (holując) na linie wciągarki. Może to spowodować zerwanie liny.

### NIEBEZPIECZEŃSTWO

**NIE NALEŻY** przekraczać maksymalnego uciążu. Unikaj „wstrząsowego obciążenia”, używając w sposób przerywany zdalnego przełącznika, aby zlikwidować luz liny stalowej. „Obciążenie wstrząsowe” może znacznie przekroczyć udźwignięcie znamionowe liny stalowej i bębna, co spowoduje uszkodzenie wciągarki i hamulca. Spowoduje to utratę gwarancji.

### NIEBEZPIECZEŃSTWO

**NIE** używaj wciągarki jako urządzenia zabezpieczającego, ponieważ nie jest do tego przeznaczona; może to spowodować uszkodzenie wciągarki i hamulca oraz utratę gwarancji.

**NIE** przekraczaj maksymalnych wartości wskaźnika ciągnięcia liny pokazanych w tabelach.

**NIE UŻYWAJ** jako podnośnika. Nie używaj do podnoszenia nad głowę.

### NIEBEZPIECZEŃSTWO

**NIGDY** nie przecinaj, nie spawaj ani nie zmieniaj żadnej części wciągarki ani liny. Spowoduje to utratę gwarancji

### NIEBEZPIECZEŃSTWO

**Podczas ponownego nawijania liny** upewnij się, że lina jest nawinięta na szpulę tak, aby lina wchodziła do bębna od dołu, a nie od góry. Aby prawidłowo nawinąć szpulę, w rękawicach należy lekko naprężyć linkę, jednocześnie naciskając przycisk pilota, aby wciągnąć linę. Podchodząc do wciągarki, **NIGDY** nie dopuszczaj, aby lina wciągarki prześlizgnęła się przez palce lub dłonie.

**NIE** zbliżaj ręk na odległość mniejszą niż 30 cm od wciągarki podczas ponownego nawijania. Wyłącz wciągarkę i powtórz procedurę, aż zostanie kilka stóp liny. Odłącz zdalne sterowanie i dokończ nawijanie ręcznie, obracając ręcznie bęben przy zwolnionym sprzęgle. Trzymaj ręce z dala od prowadnicy i bębna, gdy wciągarka pracuje.

### NIEBEZPIECZEŃSTWO

Nieprzezczytanie i niezrozumienie tych ostrzeżeń może spowodować obrażenia ciała i/lub uszkodzenie mienia.

Zawsze używaj rękawic, aby chronić ręce podczas manipulowania dowolnego rodzaju kablem/liną. Nigdy nie pozwól, aby lina prześlizgnęła Ci się przez ręce.

**NIGDY** nie podłączaj liny z powrotem do niej.

Zawsze zakładaj bloki/kliny/pasy na koła pojazdu/sprzętu podczas jazdy po pochyłości i podczas transportu.

Producent nie zezwala na żadne modyfikacje, zmiany ani odstępstwa od wciągarki i **NIE NALEŻY** ich dokonywać. Spowoduje to utratę gwarancji.

Czas wciągania powinien być jak najkrótszy. Jeśli silnik stanie się nieprzyjemnie gorący w dotyku, natychmiast przerwij wciąganie i pozwól mu ostygnąć przez około 8 minut. Nie używaj wciągarki przez dłuższą niż dwie minuty przy maksymalnym obciążeniu znamionowym (lub około tej wartości), po tym czasie wymagana jest przerwa 8 minut.

### NIEBEZPIECZEŃSTWO

Jeśli silnik zgaśnie, **NIE NALEŻY** kontynuować wciągania. Wciągarki elektryczne są zaprojektowane i wykonane do użytku przerywanego i powinny być używane w połączeniu z ich cyklami pracy.

**NIGDY** nie zwalniasz sprzęgła wolnego biegu, gdy na wciągarkę znajduje się ładunek, ponieważ ładunek stoczy się do tyłu.

Podczas manipulowania hakiem w celu nawijania lub rozwijania liny stalowej należy używać haka Hand Saver (zwalnającego ręce).

### UWAGA

Wciągarka i wszystkie jej typy pochodne są zaprojektowane dla nominalnej wydajności podczas nawijania pierwszej warstwy liny na bęben. Przeciążenie może uszkodzić wciągarkę / silnik / lub linę stalową.

W przypadku obciążeń przekraczających 70% znamionowego uciążu liny zalecamy użycie zblocza / zblocza otwieranego w celu podwojenia liny stalowej i zmniejszenia naprężenia. Pomoże to na dwa sposoby: zmniejszy to liczbę warstw liny na bębnie i zmniejszy obciążenie liny nawet o 50%. Podwajając linę z powrotem do pojazdu, przymocuj do ramy lub innej części nośnej.



**UWAGA**

Silnik pojazdu powinien być włączony podczas pracy wciągarki, aby zminimalizować zużycie akumulatora i zmaksymalizować moc i prędkość wciągarki. Jeśli wciągarka jest używana przez dłuższy czas przy wyłączonym silniku, akumulator może być wyczerpany i zbyt słaby, aby ponownie uruchomić silnik. Jeśli tak się stanie, natychmiast zaprzestań ciągnięcia, uruchom pojazd i ponownie naładuj akumulator.

**UWAGA**

Poznaj swoją wciągarkę, zanim będziesz musiał jej użyć. Zalecamy wykonanie kilku testów w celu zapoznania się z technikami manipulacji, odgłosami wydawanymi przez wciągarkę przy różnych obciążeniach oraz sposobem, w jaki lina nawija się na bęben itp.

SPRAWDŹ linę stalową i sprzęt przed każdym użyciem. Wystrzępioną lub uszkodzoną linę należy natychmiast wymienić. Używaj tylko identycznej liny zamiennej producenta o tych samych parametrach. (Liny nie są objęte żadną ofertą gwarancyjną)

Przed każdą operacją SPRAWDŹ montaż wciągarki i śruby, aby upewnić się, że wszystkie śruby są dokręcone.

**UWAGA**

Przechowuj pilota zdalnego sterowania w pojeździe lub w bezpiecznym miejscu.

Nigdy nie podłączaj liny wciągarki z powrotem do niej. Spowoduje to uszkodzenie kabla. Zawsze używaj zbloca, zbloca otwieranego, zawiesia lub łańcucha o odpowiedniej wytrzymałości, jak pokazano na ilustracjach.

**UWAGA**

Każda wciągarka, która wydaje się wadliwa, uszkodzona, zużyta lub działa nieprawidłowo, MUSI BYĆ WYCOFANA Z EKSPLOATACJI DO CZASU NAPRAWY, WYMIANY LUB REMONTU. Zaleca się, aby niezbędne naprawy BYŁY wykonywane WYŁĄCZNIE przez autoryzowany punkt naprawczy producenta.

**UWAGA**

Ciągnąć tylko za części pojazdu określone przez producenta pojazdu.

- Należy używać wyłącznie akcesoriów, przystawek i/lub adapterów dostarczonych przez producenta.

**OSTROŻNIE**

Podczas korzystania z narzędzia należy zawsze przestrzegać podstawowych zasad bezpieczeństwa, aby zmniejszyć ryzyko obrażeń ciała i uszkodzenia sprzętu. Przeczytaj wszystkie te instrukcje przed użyciem tego narzędzia!

**OSTRZEŻENIE**

Trzymaj z daleka od dzieci. Nigdy nie wolno dopuszczać dzieci do obszaru roboczego, ani pozwalać im obsługiwać maszyn, narzędzi, przedłużaczy i tego narzędzia.

**OSTRZEŻENIE**

Przechowuj nieużywany sprzęt. Gdy narzędzia nie są używane, należy je przechowywać w suchym miejscu, aby zapobiec rdzewieniu. Zawsze zamykaj narzędzia i przechowuj je poza zasięgiem dzieci.

**OSTROŻNIE**

Ubieraj odpowiedni strój. Nie noś luźnych ubrań ani biżuterii, ponieważ mogą one zostać wciągnięte przez ruchome części. Podczas pracy zaleca się odzież ochronną nieprzewodzącą prądu elektrycznego oraz obuwie antypoślizgowe. Noś nakrycie głowy, aby ukryć pod nim długie włosy.

**OSTRZEŻENIE**

Stosuj ochronę oczu i uszu. Zawsze noś okulary chroniące przed uderzeniami. Dbaj o pełną osłonę twarzy, jeśli wytwarzasz opłuki metalu lub wióry drewniane. Noś maskę przeciwpyłową lub respirator podczas pracy w pobliżu metalowych, drewnianych i chemicznych pyłów lub mgieł.

**OSTROŻNIE**

Ostrożnie konserwuj tę wciągarkę. Utrzymuj to narzędzie w stanie suchym i czystym, aby zapewnić jego lepszą i bezpieczniejszą pracę. Postępuj zgodnie z instrukcjami dotyczącymi smarowania i wymiany akcesoriów. Okresowo sprawdzaj linę wciągarki, a jeśli jest ona uszkodzona, zleć jej natychmiastową wymianę autoryzowanemu technikowi. Uchwyty muszą być zawsze czyste, suche i wolne od oleju i smaru.

Odłącz zdalny przełącznik, gdy nie jest on używany.

**NIEBEZPIECZEŃSTWO**

Zachowaj czujność, uważaj, co robisz, kieruj się zdrowym rozsądkiem. Nie obsługuj żadnego narzędzia, gdy czujesz zmęczenie.

**OSTRZEŻENIE**

**Sprawdź, czy nie ma uszkodzonych części.** Przed użyciem tej wciągarki należy dokładnie sprawdzić wszystkie części, które wydają się zużyte lub uszkodzone, aby określić, czy będzie ona działać prawidłowo i zgodnie z przeznaczeniem. Sprawdź, czy nie ma uszkodzeń, w tym wyrównania, zakleszczenia ruchomych części; uszkodzenia mocowania. Każda uszkodzona część powinna zostać odpowiednio naprawiona lub wymieniona przez specjalistę. Nie używaj narzędzia, jeśli któryś z przełączników nie włącza i nie wyłącza się prawidłowo.



**⚠️ OSTRZEŻENIE**

**Części zamienne i akcesoria.** Podczas naprawy lub serwisowania należy używać wyłącznie identycznych części zamiennych. Użycie jakichkolwiek innych części spowoduje utratę gwarancji.

**⚠️ OSTRZEŻENIE**

**Nie obsługuj narzędzia, jeśli jesteś pod wpływem alkoholu lub narkotyków.** Przeczytaj etykiety ostrzegawcze na receptach, aby określić, czy twój zmysł postrzegania lub refleks są osłabione podczas przyjmowania leków. W razie jakichkolwiek wątpliwości nie używaj narzędzia.

**⚠️ NIEBEZPIECZEŃSTWO**

Trzymaj ręce i ciało z dala od szczeliny wlotu liny podczas pracy. Zawsze unieruchamiaj pojazd przed użyciem wciągarki.

**⚠️ OSTRZEŻENIE**

Upewnij się, że wciągarka jest odpowiednio przykręcona do konstrukcji (lub pojazdu), która jest w stanie utrzymać maksymalne obciążenie znamionowe wciągarki.

Nie używaj nieodpowiednich przystawek w celu przedłużania liny wciągarki.

**⚠️ NIEBEZPIECZEŃSTWO**

Nigdy nie podnoś ludzi, ciężarów nad nimi ani żywych zwierząt. Nigdy podczas pracy nie wchodzi pomiędzy wciągarkę a ładunek.

**⚠️ OSTRZEŻENIE**

Nie obciążaj wciągarki, gdy lina jest całkowicie wysunięta poza znak bezpieczeństwa. Zachowaj co najmniej 5 pełnych zwojów liny na szpuli (zwykle oznaczone jest to czerwonym kolorem na linie wciągarki na końcu bębna).

Po przeniesieniu jakiegokolwiek elementu wyposażenia za pomocą wciągarki należy zabezpieczyć sprzęt na miejscu. Nie polegaj na wciągarkę, która utrzymuje ciężar przez dłuższy czas ani podczas transportu. Wciągarki nie są urządzeniami zabezpieczającymi. Działanie takie spowoduje utratę gwarancji.

**⚠️ OSTROŻNIE**

Skontroluj wciągarkę przed użyciem. Elementy mogą ulec uszkodzeniu w wyniku kontaktu z chemikaliami, solami i rdzą.

Nie przechodź na drugą stronę ani pod liną wciągarki, gdy jest ona obciążona.

Używaj rękawic podczas obsługi liny.

**⚠️ OSTRZEŻENIE**

Nigdy nie używaj wciągarki, jeśli lina wykazuje jakiegokolwiek oznaki osłabienia, takie jak splątanie lub zagięcie. Jeśli wykazuje, musisz ją niezwłocznie wymienić.

**⚠️ NIEBEZPIECZEŃSTWO**

Nie poruszaj pojazdem z wyciągniętą liną i przymocowaną do ładunku. W ten sposób możesz łatwo przekroczyć limit obciążenia wciągarki i zerwać linę.

Gdy pojazd jest zaparkowany na pochyłości, należy użyć klinów pod koła.

**⚠️ OSTROŻNIE**

Zawsze starannie nawijaj linę po każdym użyciu, co pozwoli uniknąć niewspółosiowości liny wciągarki.

**⚠️ OSTROŻNIE**

Lina wciągarki musi być nawinięta na bęben pod obciążeniem równym co najmniej 10% znamionowego uciążu liny, w przeciwnym razie owijki zewnętrzne wciągną się w owijki wewnętrzne i uszkodzą linę wciągarki.

Przed użyciem wciągarki pod obciążeniem należy sprawdzić poprawność jej działania poprzez włączanie i wyłączanie sprzęgła, operowanie kontrolkami kierunku i prędkości. Zapewni to prawidłowe działanie wciągarki i pomoże zapobiec niezamierzonym uszkodzeniom i obrażeniom. Cykliczna praca wciągarki przed załadunkiem zapewni również prawidłowe ustawienie kół zębatych.

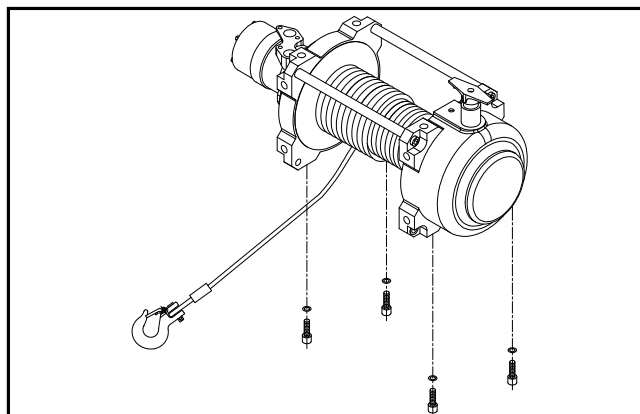
**⚠️ OSTROŻNIE**

Akumulatory zawierają gazy, które są łatwopalne i wybuchowe. Podczas instalacji należy nosić okulary ochronne i zdjąć całą biżuterię. Nie pochylaj się nad akumulatorem podczas podłączania.

## MONTAŻ WCIĄGARKI

- **Instalacja:** Twoja nowa wciągarka została zaprojektowana ze standardowym rozstawem śrub w tej klasie wciągarek. Zestaw montażowy wciągarki wykorzystujący ten rozstaw może być dostępny, jeśli jednak nie jesteś w stanie znaleźć takiego zestawu lokalnie, być może trzeba będzie to zlecić lokalnej firmie inżynierskiej. Jeśli używasz kanału montażowego, musisz upewnić się, że jest on zamontowany na płaskiej powierzchni, tak aby trzy główne sekcje (silnik, bęben i obudowa przekładni) były odpowiednio wypozycjonowane. Niewłaściwe ustawienie wciągarki spowoduje nierównomierne rozłożenie obciążenia i uszkodzenie jej lub wyposażenia. Zamontuj wciągarkę do pojazdu za pomocą stalowych śrub o dużej wytrzymałości na rozciąganie. Powinna ona zostać wypozycjonowana i przymocowana do solidnej części pojazdu (z przodu lub z tyłu), gdzie pełne obciążenie znamionowe będzie równomiernie rozłożone bez powodowania uszkodzeń pojazdu lub wyposażenia.
- **Montaż zaworu równoważącego:** Dostarczony zawór równoważący powinien być już podłączony do silnika. Upewnij się, że kierunek instalacji zaworu równoważącego jest zgodny z głównym schematem hydraulicznym. W przeciwnym razie wciągarka nie osiągnie znamionowego uciążenia liny, a także niebezpieczne stanie się odłączenie liny przy dużym obciążeniu. Jeśli wystąpi ten objaw, po prostu odłącz zawór równoważący: wymień otwór olejowy między silnikiem hydraulicznym a zaworem równoważącym, podczas gdy wciągarka pracuje w innym kierunku, w następujący sposób: A→C1, B→C2 na A→C2, B→C1. I podłącz go ponownie. Jeśli wciągarka jest dostarczana z zaworem równoważącym, będzie on fabrycznie połączony z silnikiem.
- **Połączenia hydrauliczne:** Wszystkie węże należy trzymać z dala od miejsc, w których panuje zbyt wysoka temperatura, takich jak układ wydechowy, turbosprężarka lub inne ruchome części. Nie powinny się one ocierać o obracające się, szorstkie lub wibrujące powierzchnie. W niektórych zastosowaniach konieczne są złączki 90° na zaworze kierunkowym i silniku lub zaworze równoważącym, aby montaż węża był bardziej elastyczny. Po ułożeniu instalacji hydraulicznej w pojeździe zamontuj uszczelki Oring na zaworach i połączeniach. Mocno dokręć. Złączek nie dokręcaj zbyt mocno. Zamontuj uszczelki Oring na silniku wciągarki. Mocno dokręć. Podłącz dowolny wąż port A na silniku lub port V1 na zaworze równoważącym do portu A na zaworze kierunkowym, port B na silniku lub port V2 na zaworze równoważącym do portu B na zaworze kierunkowym, port P na zaworze kierunkowym, do portu wysokiego ciśnienia pompy, port T na zaworze do zbiornika, a jeśli to konieczne, podłącz dowolny port węża na zaworze do przekładni kierowniczej. Przymocuj dowolną uszczelkę lub uszczelkę Oring z oryginalnego łącznika rurowego pojazdu do łącznika rurowego.

## GŁÓWNY SCHEMAT HYDRAULICZNY I INSTALACJA:

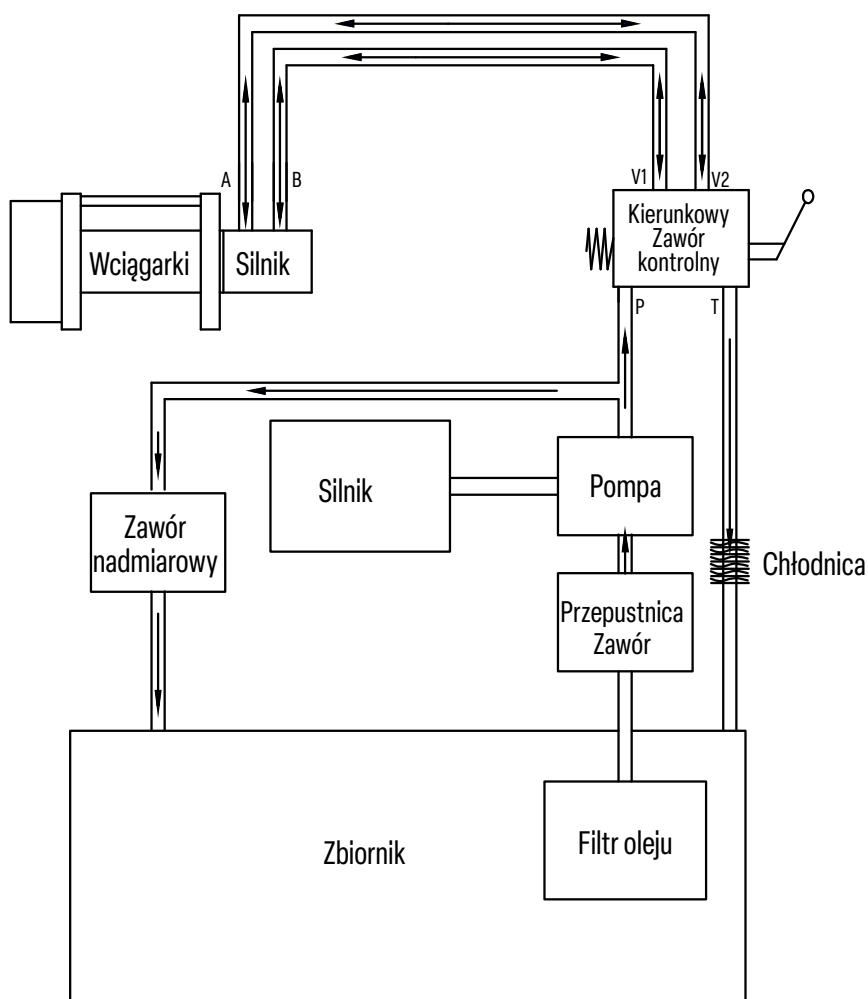
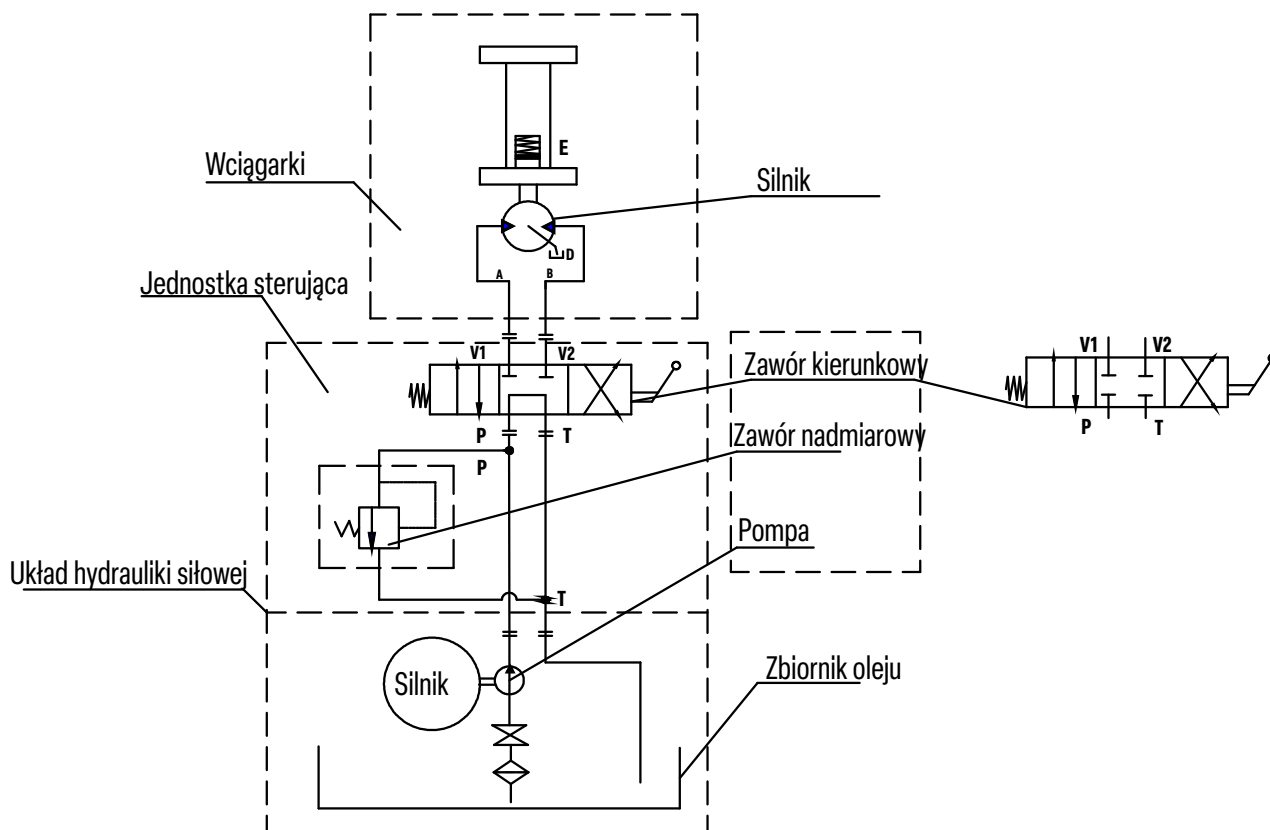


W takiej sytuacji należy odpowietrzyć układ hydrauliczny. Poniżej podano wskazówki dotyczące odpowietrzania układu hydraulicznego.

### jak odpowietrzyć układ hydrauliczny.

1. Uruchom silnik.
2. Uruchom wciągarkę, aby wyciągnąć około 1,5 metra kabla.
3. Wyłącz silnik.
4. Sprawdź poziom płynu i uzupełnij w razie potrzeby.
5. W razie potrzeby powtórz kroki od 1 do 4.
6. Uruchom silnik.
7. Przesuń kabel w żądane miejsce.
8. Obróć koła pojazdu z prawej pozycji blokady do lewej pozycji blokady pięć razy, aby pomóc w odpowietrzeniu układu hydraulicznego.
9. Jeśli ręczna jednostka sterująca działa wstecz, po prostu zamień brązowe i białe połączenia przewodów w zaworze.

Przetestuj wciągarkę pod kątem prawidłowego działania. Patrz sekcja Działanie.



PL

## DZIAŁANIE

### ⚠️ OSTRZEŻENIE

1. Przed rozpoczęciem jakiegokolwiek pracy wciągarki upewnij się, że sprzęgło jest całkowicie załączone
2. Nie zbliżaj się do podniesionych ładunków
3. Trzymaj się z dala od kabla podczas ciągnięcia, nie próbuj prowadzić kabla
4. Minimum 5 zwojów kabla wokół bębna

### Informacje ogólne

Standardowe wyposażenie wciągarki obejmuje reduktor biegów, silnik hydrauliczny bębna, elektrozawór, zespół przełączników, złącze żeńskie i złączki hydrauliczne. Wciągarka uzyskuje ciśnienie z istniejącej pompy wspomagania układu kierowniczego pojazdu lub innego źródła zasilania hydraulicznego. Wciągarka jest całkowicie uszczelniona, może być używana pod wodą.

Istnieje kilka innych sposobów zasilania wciągarki. Pierwszym sposobem jest użycie indywidualnej pompy do zastosowań technicznych. Drugim sposobem jest zapewnienie ciśnienia hydraulicznego wciągarki za pomocą pompy wspomagania układu kierowniczego wychodzącej z pojazdu (patrz Instrukcja instalacji).

- Użyj odpowiedniej indywidualnej pompy, która nie jest wyposażona w zawór bezpieczeństwa oleju. Dostarczy ona ciśnienie zarówno do przekładni kierowniczej, jak i do wciągarki.
- Użyj pompy kombinowanej ze zintegrowanym zaworem oleju. Zawór olejowy zapewni dwa rodzaje przepływu w zależności od różnicy w zapotrzebowaniu. Jeden rodzaj przepływu będzie stały i powinien być używany z układem kierowniczym. Drugi zapewni wyższe ciśnienie i jest przeznaczony do użytku inżynierskiego.

### ⚠️ OSTROŻNIE

Układ hydrauliczny wymaga zaworu nadmiarowego, aby upewnić się, że system jest bezpieczny; Jeśli w systemie nie ma zaworu nadmiarowego to może spowodować to poważne niebezpieczeństwo i system może nie działać. Jeśli twoja wciągarka jest napędzana przez istniejący system zasilania hydraulicznego, istnieje również zawór nadmiarowy.

### Demonstracja pracy wciągarki:

1. Odłącz sprzęgło, ustawiając je w położenie „CLUTCH OUT”.
2. Chwyć kabel i wyciągnij jego żądaną długości, a następnie przymocuj do ciągniętego przedmiotu.

### ⚠️ OSTROŻNIE

Zawsze zostawiaj co najmniej pięć zwojów liny na bębnie. Przed kontynuowaniem zapoznaj się z ostrzeżeniami i środkami ostrożności dotyczącymi wciągarki.

3. W razie potrzeby ponownie włącz sprzęgło, ustawiając je do pozycji „CLUTCH IN”.

4. Uruchomienie próbne wciągarki w obu kierunkach. Obracaj wciągarką w każdym kierunku przez około jedną lub dwie sekundy, w międzyczasie całkowicie automatycznie włączając sprzęgło.
5. Stojąc z boku drogi holowania, przytrzymaj i obsługuj wybrany przez siebie zespół przełączników. Poczekać, aż silnik się zatrzyma, zanim zmienisz kierunek.

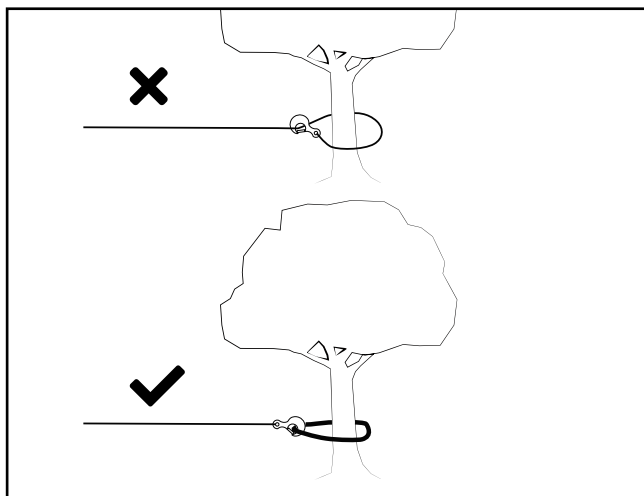
## TECHNIKI MANIPULOWANIA

Znajdź odpowiedni punkt zakotwiczenia, na przykład mocny pień drzewa lub gałąź.

ZAWSZE używaj zawiesia lub paska jako punktu zaczepienia na obiekcie. Nigdy nie używaj liny ani haka jako punktu zaczepienia przymocowanego do przedmiotu.

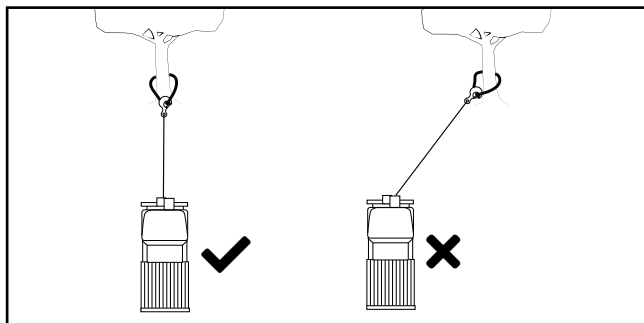
### ⚠️ PRZESTROGA

NIGDY nie mocuj haka widelkowego z powrotem do liny wciągarki, ponieważ może to spowodować uszkodzenie liny.



### ⚠️ PRZESTROGA

Nie wciągaj pod ostrym kątem, ponieważ lina stalowa zakleszczy się po jednej stronie bębna, powodując uszkodzenie liny (zagnieżdżenie) i poważne uszkodzenie wciągarki i ewentualnie sprzętu.



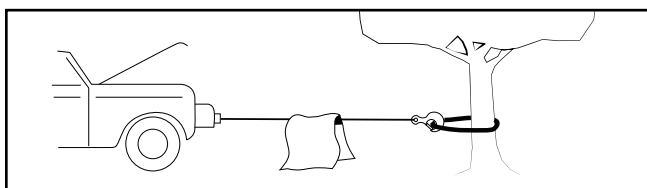
**UWAGA**

Można krótko pociągnąć pod kątem w celu wyprostowania pojazdu/sprzętu. Długie pociągnięcia należy wykonywać z liną stalową w linii prostej do wciągarki/pojazdu, patrz ilustracja powyżej.

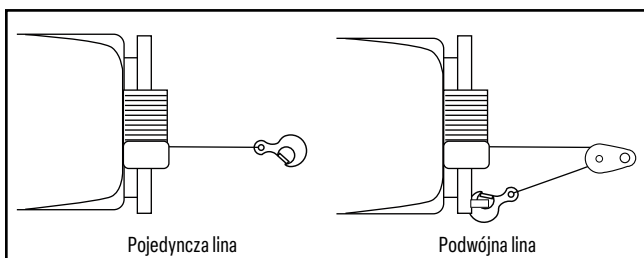
**PRZESTROGA**

Podczas ciągnięcia ciężkiego ładunku umieść koc lub kurtkę na linie stalowej pięć lub sześć stóp (1,5 – 2 m) od haka, ponieważ w przypadku zerwania liny zamortyzuje ona siłę.

Aby uzyskać dodatkową ochronę, otwórz maskę pojazdu, jak pokazano na rysunku.

**UWAGA**

W przypadku naciągów przekraczających 70% znamionowego uciążu liny, zalecamy użycie zbrocza otwieranego/zbrocza do podwojenia liny stalowej. Zmniejsza to obciążenie wciągarki i liny.

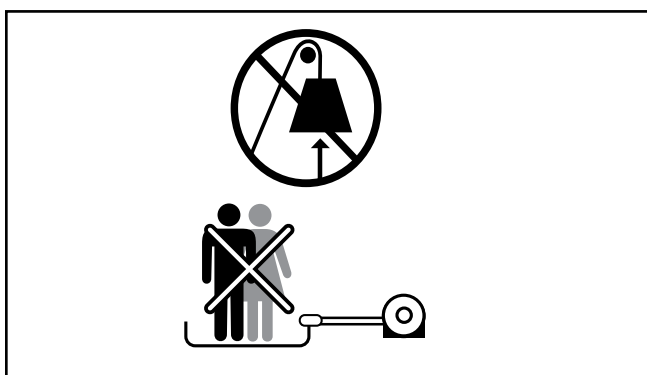


Pojedyncza lina

Podwójna lina

**NIEBEZPIECZEŃSTWO**

Nigdy nie używaj wciągarki do podnoszenia lub przemieszczania ludzi lub żywych zwierząt.

**KONSERWACJA**

1. Okresowo sprawdzaj dokręcenie śrub mocujących i połączeń elektrycznych. Usuń wszelkie zabrudzenia lub korozję i zawsze utrzymuj urządzenie w czystości.
2. Nie próbuj demontować skrzyni biegów. Naprawy powinny być wykonywane przez producenta lub autoryzowany serwis.
3. Skrzynia biegów została nasmarowana wysokotemperaturowym smarem litowym i jest fabrycznie uszczelniona. Nie jest wymagane wewnętrzne smarowanie.

**WYMIANA LINY**

Jeśli lina stalowa jest zużyta lub zaczyna wykazywać oznaki wystrzępienia, należy ją wymienić przed ponownym użyciem.

1. Ustaw sprzęgło w pozycji „CLUTCH OUT” („SPRZĘGŁO WYŁĄCZONE”).
2. Rozwiń linę na pełną długość. Zwróć uwagę na to, jak obecna lina jest podłączona do bębna.
3. Usuń starą linę i podłącz nową w taki sposób, jak stara lina jest podłączona do bębna. Włóż koniec nowej liny i przykręć śrubę M8x10.
4. Upewnij się, że nowa lina jest zwinięta w tym samym kierunku co stara. Lina powinna wychodzić z bębna od dołu, pod bębniem. (Rozwijanie z dołu).
5. Ustaw sprzęgło w pozycji „CLUTCH IN” („SPRZĘGŁO WŁĄCZONE”).
6. Nawin linę wciągarki na bęben, przez pierwsze pięć owinięć uważaj, aby nie dopuścić do załamań, następnie linę wciągarki należy nawinąć na bęben pod obciążeniem wynoszącym co najmniej 10% znamionowego uciążu liny.

**OSTRZEŻENIE**

W przypadku wymiany liny stalowej należy używać wyłącznie identycznych części zamiennych zalecanych przez producenta. Liny stalowe lub syntetyczne NIE są objęte żadną ofertą gwarancyjną, a właściciel lub użytkownik ponosi wyłączną odpowiedzialność za konserwację i wymianę w razie potrzeby.

## ŚRODKI OSTROŻNOŚCI DOTYCZĄCE KONSERWACJI

1. Prawidłowe użytkowanie wyciągarki hydraulicznej może skutecznie wydłużyć jej żywotność.
2. Zdecydowanie zalecamy stosowanie podkładek sprężystych ze śrubami mocującymi. Śruby mocujące i linę stalową należy regularnie sprawdzać pod kątem poluzowania, jeśli okaże się, że są one poluzowane, należy je zawsze dokręcić przed użyciem wyciągarki.
3. Nawijanie lub wymiana liny stalowej: Za pomocą zaworu rozdzielczego nawiń bęben do odpowiedniej pozycji, wyjmij lub wprowadź linę stalową do otworu na krawędzi bębna. Włóż stalową płytkę wraz ze śrubami i dokręć je. Uruchoom wyciągarkę, używając szpuli o minimalnym obciążeniu w linie stalowej.
4. Zwróć uwagę na orientację lin stalowych na szpuli bębna. Jeśli lina jest zagięta, postrzępiona lub uszkodzona w jakikolwiek sposób MUSI ona zostać natychmiast wymieniona na część OEM, jeśli nie zostanie wymieniona na oryginalną, spowoduje to utratę gwarancji.
5. Podczas normalnej pracy siła ciągnąca musi być równa lub mniejsza od udźwigu znamionowego. Przeciążanie udźwigu wyciągarki jest niedozwolone. Maksymalna siła uciążu wyciągarki jest około 1,25 razy większa od jej udźwigu znamionowego, a jej przekroczenie spowoduje uszkodzenie wyciągarki i (lub) sprzętu lub poważne obrażenia. Spowoduje to utratę gwarancji.
6. Ciśnienie otwarcia zaworu równoważącego musi być o 0,1-0,4 MPa wyższe niż ciśnienie hamulca, w przeciwnym razie wyciągarka będzie się trząść podczas opuszczania. Nasza firma przetestowała podnoszenie i wyregulowała zawory równoważące dla każdej wyciągarki przed opuszczeniem przez nią fabryki. W związku z tym użytkownicy/operatorzy w ogóle nie muszą ich regulować. Jeśli jednak istnieją szczególne przypadki, gdzie samodzielna regulacja jest wymagana, należy obracać śrubę regulacyjną na zewnątrz, zwiększając w ten sposób ciśnienie otwarcia. Nigdy nie próbuj regulować zaworów równoważących samemu. Zleć to zadanie specjalście lub pracownikowi serwisu.
7. W przypadku nieprawidłowego wzrostu ciśnienia w systemie, należy natychmiast zaprzestać używania wyciągarki. Sprawdź, czy nie ma wycieków oleju i czy silnik hydrauliczny działa normalnie. Zwykle, gdy silnik hydrauliczny pracuje pod obciążeniem, wyciek oleju z rury nie może przekraczać 1m/m. Duża ilość wycieku świadczy o uszkodzonym silniku hydraulicznym, który należy natychmiast naprawić lub wymienić. Lub, jeśli silnik hydrauliczny jest w dobrym stanie, sprawdź inne części wewnątrz układu.
8. Regularnie sprawdzaj działanie wyciągarki hydraulicznej i jej systemów podczas pracy lub co tydzień. W przypadku nieprawidłowego wzrostu temperatury, wycieku, nieprawidłowego hałasu i wibracji lub wahań ciśnienia, użytkownik powinien natychmiast wyłączyć wyciągarkę w celu sprawdzenia przyczyn i skierowania jej do naprawy.
9. Regularnie sprawdzaj filtr oleju, czyść go i wymieniaj regularnie.
10. Przebywanie pod hakiem wyciągarki jest surowo wzbronione.

### Przegląd

Gdy wyciągarka hydrauliczna nie działa lub działa nieprawidłowo, operator/użytkownik może dokonać kontroli i naprawy, jeśli ma do tego odpowiednie kwalifikacje. W przypadkach, gdy użytkownik nie jest w stanie tego zrobić, nie należy demontować ani naprawiać

wyciągarki. Skontaktuj się ze specjalistą od napraw w celu przeglądu. Podczas demontażu tej wyciągarki hydraulicznej należy uważać, aby nie spowodować zadrapań ani wgnieceń na precyzyjnych częściach urządzenia, zwłaszcza na powierzchniach części ruchomych i uszczelniających. Natychmiast napraw lub wymień uszkodzone części. Przed montażem wszystkie części muszą być oczyszczone i pokryte smarem litowym (jeśli dotyczy)

### Podnoszenie

Nie zaleca się używania tych wyciągarek do podnoszenia, jeśli używasz wyciągarki do podnoszenia, musisz zastosować współczynnik bezpieczeństwa 5:1. Upewnij się, że podczas używania wyciągarki do podnoszenia zawsze znajduje się co najmniej 1 warstwa na bębnie i zwracaj uwagę na mocowania i pojemność bębna.

### Składowanie

Wyciągarkę hydrauliczną należy przechowywać w magazynie, w którym powietrze jest suche i wolne od żrących gazów. Nie umieszczaj jej w wysokiej temperaturze 50 ° C lub -20 ° C w celu długotrwałego przechowywania, ponieważ przyspieszy to starzenie się części uszczelniających.

Jeśli wyciągarka hydrauliczna jest długo przechowywana, użytkownik powinien spuścić z niej cały olej i całkowicie napełnić maszynę olejem turbinowym o niskiej wartości kwasowej.

## ROZWIĄZYWANIE PROBLEMÓW

Problem	Przyczyna	Rozwiązanie
Wciągarka nie obraca się	Niewystarczające ciśnienie w układzie hydraulicznym.	Sprawdź zawór nadmiarowy regulujący ciśnienie.
	Nieprawidłowe połączenia układu hydraulicznego, brak oleju w silniku.	Sprawdź wszystkie instalacje hydrauliczne zgodnie z wykresem zasad działania.
		Uszkodzony kierunkowy zawór sterujący.
Silnik pracuje, ale bęben się nie obraca	Sprzęgło nie jest włączone	Ustaw sprzęgło na wysoką lub niską prędkość. Jeśli problem będzie się powtarzał, poproś technika o sprawdzenie i naprawę.
Silnik pracuje wolno lub poniżej swojej normalnej mocy	Niewystarczające ciśnienie lub przepływ oleju	Odbojnik nie jest odpowiedni lub uszkodzony. Zmień na nowy lub odpowiedni
	Niewystarczająca ilość płynu w układzie	Sprawdź poziom płynu. Dolej płynu do pełna.
	Niewłaściwy kierunek pracy wciągarki.	Zmień połączenie zaworu równoważącego z silnikiem.
Wciągarka nie może płynnie związać liny stalowej z ładunkiem.	Niewłaściwy kierunek pracy wciągarki.	Zmień połączenie zaworu równoważącego z silnikiem.

## GWARANCJA\*

**BPE Limited jest wyłącznym dystrybutorem WARRIOR WINCHES.**

BPE („sprzedawca” lub rozwiązania w zakresie wciągarek) gwarantuje wyłącznie pierwotnemu nabywcy detalicznemu („Kupujący”), że jakikolwiek element mechaniczny oryginalnej wyciągarki WARRIOR WINCH („produkt”) jest wolny od wad materiałowych i wykonawczych przez cały okres eksploatacji wciągarki.

Komponenty elektryczne (w tym silnik, stycznik i przełączniki) będą wolne od wad materiałowych i wykonawczych przez okres (3) trzech lat (36 miesięcy) od możliwej do udowodnienia daty zakupu pierwotnego zakupu. Każdy produkt, który BPE Limited uzna za wadliwy, zostanie naprawiony lub wymieniony według wyłącznego uznania BPE Limited bez opłat dla Kupującego, pod warunkiem przestrzegania przez Kupującego tej procedury. Sprzedawca lub jego autoryzowany przedstawiciel może pobierać uzasadnione opłaty za części i robociznę w przypadku napraw nieobjętych niniejszą ograniczoną gwarancją wieczystą. Gwarancje określone w niniejszym dokumencie są wyłączne i zastępują wszelkie inne gwarancje, ustne lub pisemne, wyraźne lub dorozumiane.

### Co w sytuacji, gdy produkt ulegnie uszkodzeniu w okresie gwarancyjnym?

Aby uzyskać serwis lub naprawę w ramach niniejszej gwarancji, Kupujący wyśle pocztą, za pomocą firmy spedycyjnej lub w inny sposób dostarczy na adres producenta na koszt Kupującego; (1) Produkt, (2) pisemny opis problemu, (3) imię i nazwisko, adres i numer kontaktowy Kupującego, (4) kopię oryginalnego dowodu zakupu, lub też BPE Limited może zorganizować odpowiedni sposób odbioru (obowiązują opłaty).

## Wyłączenia z gwarancji

Gwarancja nie obejmuje kosztów robocizny ani kosztów transportu/ wysyłki związanych z wymianą lub montażem wadliwych części.

Niniejsza gwarancja nie obejmuje wad Produktu spowodowanych przez; (1) normalne zużycie, (2) nieprzestrzeganie warunków instalacji, konserwacji lub narażenie produktu na obciążenia przekraczające obciążenia opisane/wymienione w instrukcji obsługi lub wyszczególnione na stronie internetowej Sprzedającego, (3) zmiany lub modyfikacje dokonane przez strony inne niż producent, (4) niewłaściwe użycie, nadużycie, zaniedbanie, wypadki, siłę wyższą, terroryzm lub (5) niewłaściwe użycie przedmiotu, niezgodnie z instrukcją obsługi (7) inne przyczyny pozostające poza kontrolą Sprzedającego po dostarczeniu Produktu do Autoryzowanego Agenta Sprzedającego.

## Inne wyłączenia

Niniejsza gwarancja nie obejmuje lin stalowych, lin syntetycznych, przewodnic, pilotów bezprzewodowych ani żadnych wykończeń zewnętrznych po upływie trzydziestu (30) dni od zakupu.

BPE Limited nie ponosi odpowiedzialności za jakiegokolwiek szkody pośrednie lub wtórne. Te szkody następcze mogą obejmować między innymi utratę zysków lub utratę możliwości użytkowania, przestoje lub uszkodzenie sprzętu innej osoby (innych osób).

BPE Limited zastrzega sobie prawo do zmiany projektu Produktu bez powiadomienia. BPE Limited zastrzega sobie prawo do wymiany dowolnej części lub całego urządzenia na nowszy projekt o tym samym działaniu.



**SPECYFIKACJE 10NHSY**

<b>Nominalny udźwig liny</b>	10000 lbs (4536 kgs)
<b>Przemieszczenie silnika</b>	65 ml/r
<b>Przepływ oleju</b>	15-45L/min
<b>Ciśnienie</b>	12.5Mpa
<b>Przełożenie redukcji biegów</b>	25.5:1
<b>Kabel (śr. × dł.)</b>	Ø13/32"×83.7' (Ø10.2mm×25.5m)
<b>Rozmiar bębna (śr. × dł.)</b>	Ø2.8 "×8.6" (Ø72mm×219mm)
<b>Schemat śrub mocujących</b>	10 "×4.5 " (254mm×114.3mm) 4-M12
<b>Wymiary gabarytowe (dł. × szer. × wys.)</b>	20.4"×8.1"×9.7" 519mm ×206mm ×246mm
<b>Masa netto w funtach (kg)</b>	117 (53)

**Uciąg / Ciśnienie (pierwsza warstwa)**

<b>Uciąg liny w funtach (kg)</b>	<b>Ciśnienie MPa(psi)</b>
0	2.0(290.1)
3000(1361)	4.5(652.7)
6000(2722)	6.8(986.2)
9000(4082)	9.0(1305.3)
10000(4536)	12.5(1812.9)

**Przepływ / Prędkość (pierwsza warstwa)**

<b>Przepływ g/min (l/min)</b>	<b>Prędkość liny w stopach/min (m/min)</b>
1.3(5.0)	2.3 (0.7)
2.6(10.0)	4.6(1.4)
5.3(20.0)	8.9(2.7)
9.2(35.0)	15.1(4.6)
10.6(40.0)	17.4(5.3)

**Uciąg liny, pojemność kabla na warstwę**

<b>Warstwa liny stalowej</b>	<b>Znamionowy uciąg liny w funtach (kg)</b>	<b>Całkowita długość liny na bębnie w stopach (m)</b>
1	10000(4536)	16.4(5.0)
2	8012(3634)	37.2(11.3)
3	6683(3031)	60.9(18.6)
4	5732(2600)	83.7(25.5)



**SPECYFIKACJE 15NHSY**

Nominalny udźwig liny	15000 lbs (6804 kgs)
Przemieszczenie silnika	80ml/r
Przepływ oleju	5-60L/min
Ciśnienie	13Mpa
Przełożenie redukcji biegów	33.4:1
Kabel (śr. × dł.)	Ø15/32"×87' (Ø12mm×26.5m)
Rozmiar bębna (śr. × dł.)	Ø3.5 "×8.5" (Ø89mm×217mm)
Schemat śrub mocujących	10 "×4.5 " (254mm×114.3mm) 4-M12
Wymiary gabarytowe (dł. × szer. × wys.)	21.4"×8.9"×10.3" 544mm ×226mm ×262mm
Masa netto w funtach (kg)	152 (68.8)

**Uciąg / Ciśnienie (pierwsza warstwa)**

Uciąg liny w funtach (kg)	Ciśnienie MPa(psi)
0	2.0(290.1)
5000(2268)	4.3(623.7)
10000(4536)	8.7(1261.8)
12000(5443)	10.0(1450.3)
15000(6804)	13.0(1885.4)

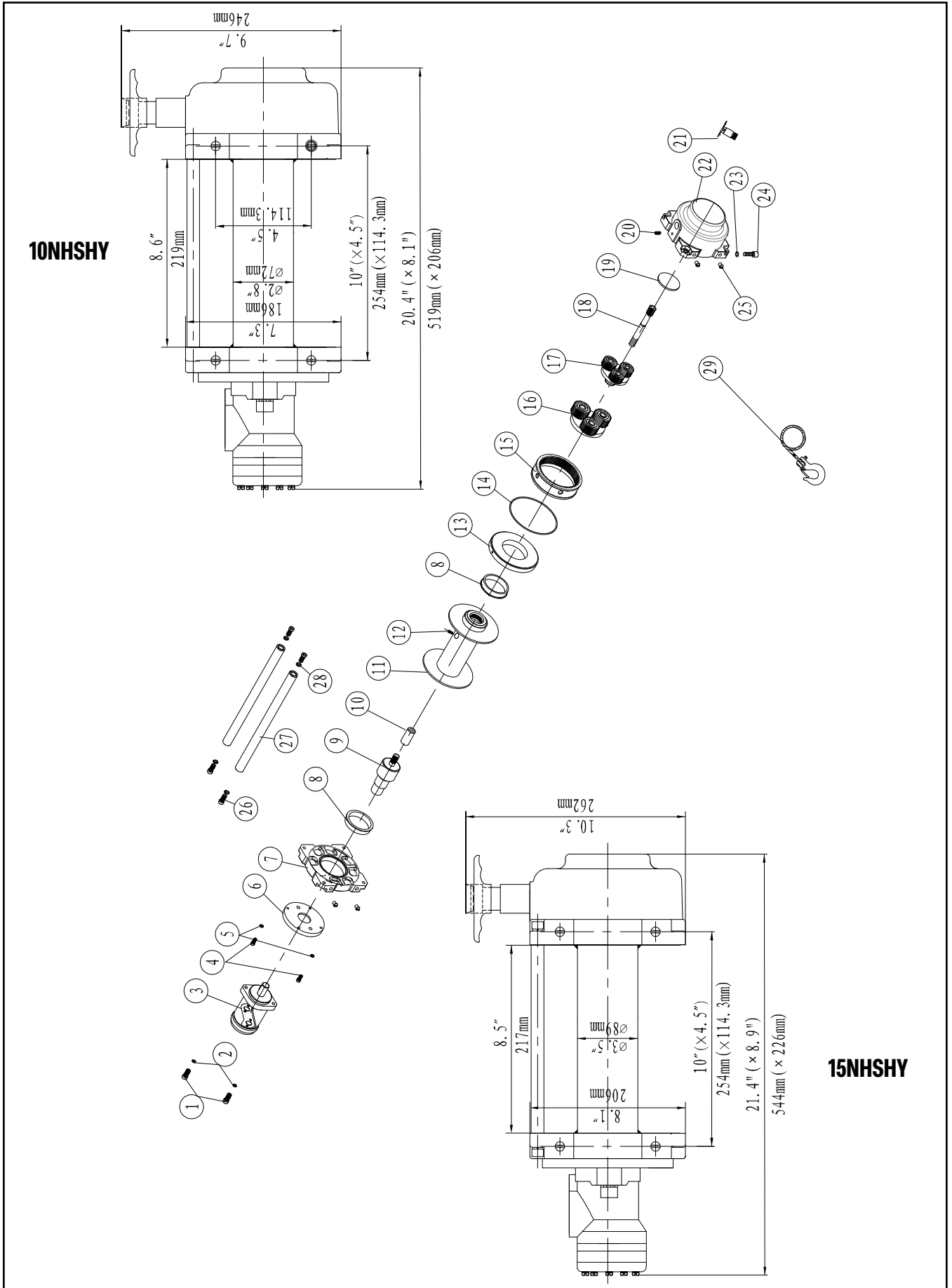
**Przepływ / Prędkość (pierwsza warstwa)**

Przepływ g/min (l/min)	Prędkość liny w stopach/min (m/min)
1.3(5.0)	1.6(0.5)
2.6(10.0)	3.3(1.0)
5.3(20.0)	6.6(2.0)
7.9(30.0)	9.8(3.0)
15.9(60.0)	19.7(6.0)

**Uciąg liny, pojemność kabla na warstwę**

Warstwa liny stalowej	Znamionowy uciąg liny w funtach (kg)	Całkowita długość liny na bębnie w stopach (m)
1	15000(6804)	18.0(5.5)
2	12120(5498)	41.7(12.4)
3	10168(4612)	65.9(20.1)
4	8757(3972)	86.9(26.5)

WINCH ASSEMBLY DRAWING 10NHSY / 15NHSY



## WINCH PARTS LIST 10NHSY / 15NHSY

#	Part Number	Description	Qty.
1	C100NH0100	Hydraulic Motor Used in 10NHSY	1
	C150NH0100	Hydraulic Motor - Used in 15NHSY	1
2	C100NH0001	Screw M12×30	2
3	C100NH0002	Lock Washer Ø12	2
4	C100NH0003	Screw M8×25	4
5	C100NH0004	Lock Washer Ø8	4
6	C100NH0005	Coupling plate	1
7	C100NH0006	Front Bearing - Used in 10NHSY	1
	C150NH0006	Front Bearing -Used in 15NHSY	1
8	C100NH0007	Bushing-Drum - Used in 10NHSY	2
	C150NH0007	Bushing-Drum - Used in 15NHSY	2
9	C100NH0200	Break/Shift Assembly -Used in 10NHSY	1
	C150NH0200	Break/Shift Assembly -Used in 15NHSY	1
10	C100NH0008	Transition Shaft	1
11	C100NH0300	Drum Assembly -Used in 10NHSY	1
	C150NH0300	Drum Assembly -Used in 15NHSY	1
12	C100NH0009	Screw M8×10	1
13	C100NH0010	Inner supporting -Used in 10NHSY	1
	C150NH0010	Inner supporting -Used in 15NHSY	1
14	C100NH0011	"O" Ring Seals -Used in 10NHSY	1
	C150NH0011	"O" Ring Seals -Used in 15NHSY	1
15	C100NH0012	Gear-Ring -Used in 10NHSY	1
	C150NH0012	Gear-Ring -Used in 15NHSY	1

#	Part Number	Description	Qty.
16	C100NH0400	Gear Carrier Assembly(Output) -Used in 10NHSY	1
	C150NH0400	Gear Carrier Assembly(Output) -Used in 15NHSY	1
17	C100NH0500	Gear Carrier Assembly(Intput) -Used in 10NHSY	1
	C150NH0500	Gear Carrier Assembly(Intput) -Used in 15NHSY	1
18	C100NH0013	Transmission Shaft	1
19	C100NH0014	Antifriction Pad	1
20	C100NH0015	Screw M8×10	1
21	C100NH0600	Clutch handle Assembly	1
22	C100NH0016	Gear-Housing	1
23	C100NH0002	Lock Washer Ø12	4
24	C100NH0017	Screw M12×35	4
25	C100NH0018	Tamper	4
26	C100NH0019	Screw M10×35	4
27	C100NH0020	Tie Bar	2
28	C100NH0021	Lock Washer Ø10	4
29	C100NH0700	Tensioned Of Steel Wire Supplied Assembly	1
30	C100NH0021	Lock Washer Ø10	4
31	C100NH0022	Screw M10×25	4
32	C100NH0023	Back Mounting Plata	1
33	C100NH0002	Lock Washer Ø12	4
34	C100NH0024	Screw M12×30	4
35	C100NH0800	Cable Assembly -Used in 10NHSY	1
	C150NH0800	Cable Assembly -Used in 15NHSY	1

EN

## EC Declaration of Conformity

**Zertifikatnr. / Certificat nr / Certificate No.** MD-TCF220621-39334 -V10-BPE

**Lieferant und Emittent / Fournisseur et émetteur / Supplier and Issuer:**  
BPE Solutions Deutschland GmbH, Altrottstrasse 31, 69190 Walldorf, Deutschland

<b>Gerät(e) / Dispositif (s) / Equipment</b>	Hydraulic Winch
<b>Modell / Modèle / Model</b>	10NHSHY, 15NHSHY, 80RVSHY, 80SDSDY, 10RVSHY, 10RVLDY, 15RVSHY, 18RVSHY, 2TRVSHY, 28RVLHY, 28RVLDY, 13HWTTSHY, 10JP01H, 10JP02H, 13JP01H, 15JP01H, 20JP01H, 25JP01H, 30JP01H
<b>Seriennummer / numéro de série / Serial Number</b>	

**Gemäß den folgenden Richtlinien / Conformément aux directives suivantes**  
**In accordance with the following directives :**

Machinery Directive 2006/42/EC
Electromagnetic Compatibility Directive 2014/30/EU
RoHs Directive 2011/65/EU

**Gemäß den folgenden Normen / Selon les normes suivantes /**  
**In accordance with the following Standards:**

BS EN 14492-1:2006+A1:2009	BS EN 60204-1:2018	BS EN IEC 61000-6-2:2019
BS EN IEC 61000-6-4:2019	BS EN ISO 12100:2010	BS EN ISO 3744:1995

Hiermit erkläre ich, dass das/die obengenannte(n) Gerät(e) gemäß den relevanten Abschnitten der obigen Anforderungen entworfen und hergestellt wurde(n). Die Produkte entsprechen den Grundanforderungen der relevanten Richtlinien und Normen. Dieses Zertifikat ist nur bei den obengenannten Produkten und Konfigurationen im Zusammenhang mit detaillierten Testdaten sowie mit allen zutreffenden rechtlichen Vorschriften des Produktes gültig.

Je déclare par la présente que le(s) dispositif(s) ci – dessus ont été conçus et fabriqués conformément aux sections pertinentes des exigences ci-dessus. Les produits satisfont aux exigences de base des directives et normes applicables. Ce certificat n'est valable que pour les produits et configurations ci-dessus en relation avec des données de test détaillées ainsi qu'avec toutes les réglementations légales applicables du produit.

I hereby declare that the equipment named above has been designed and manufactured to comply with relevant sections of the above referenced specifications. The products comply with the essential requirements of the relevant directives and standards. This certificate is only valid for the product(s) and configuration described in conjunction with details test data and with all applicable legal requirements of this product.

**This declaration of conformity is issued under the exclusive responsibility of the manufacturer.**

<b>Datum / Date:</b>	<b>01.06.2022 09:52</b>
<b>Land / Pays / Issuing Country:</b>	<b>Deutschland</b>

**X P Bimson**

Paul Bimson  
QA & Development Manager



**Registered Technical File Holders Address**  
**BPE Solutions Deutschland GmbH**  
**Altrottstrasse 31**  
**69190 Walldorf**  
**Deutschland**  
**DE 347460020**

## EC Declaration of Conformity

**Certificate No.** TEZJ22062139336-V10-BPE

**Supplier and Issuer:**

BPE Holdings Ltd, Unit 17/18A Bradley Hall Trad Est, Bradley Lane, Wigan, WN6 0XQ, UK

<b>Equipment</b>	Hydraulic Winch
<b>Model</b>	10NHSY, 15NHSY, 80RVSHY, 80SDSDY, 10RVSHY, 10RVLDY, 15RVSHY, 18RVSHY, 2TRVSHY, 28RVLHY, 28RVLDY, 13HWTTSHY, 10JP01H, 10JP02H, 13JP01H, 15JP01H, 20JP01H, 25JP01H, 30JP01H
<b>Serial Number</b>	

**In accordance with the following directives :**

Machinery Directive 2006/42/EC

**In accordance with the following Standards:**

BS EN 14492-1:2006+A1:2009	BS EN 60204-1:2018	BS EN ISO 12100:2010
BS EN IEC 61000-6-2:2019	BS EN IEC 61000-4-2:2019	

I hereby declare that the equipment named above has been designed and manufactured to comply with relevant sections of the above referenced specifications. The products comply with the essential requirements of the relevant directives and standards. This certificate is only valid for the product(s) and configuration described in conjunction with details test data and with all applicable legal requirements of this product.

This declaration of conformity is issued under the exclusive responsibility of the manufacturer.

<b>Date:</b>	28.06.2022 11:52
<b>Issuing Country:</b>	United Kingdom

X *P Bimson*

Paul Bimson  
QA & Development Manager

**UK  
CA**

**Registered Technical File Holder  
BPE Holdings Ltd  
Unit 17/18A Bradley Hall Trad Est  
Bradley Lane  
Wigan  
WN6 0XQ  
UK**

**For warranty and repair enquiries, please  
contact the retailer where you purchased  
your winch product.**

## **Service & Technical Contacts**

### **United Kingdom:**

BPE Holdings  
Unit 17-18  
Bradley Hall Trading Estate  
Bradley Lane, Standish  
Wigan, WN6 0XQ, UK  
[service@bpeholdings.co.uk](mailto:service@bpeholdings.co.uk)

### **Germany:**

BPE Solutions Deutschland GmbH  
Altrottstraße 31  
D-69190 Walldorf  
Germany  
[support@bpeholdings.de](mailto:support@bpeholdings.de)

### **France:**

BPE Solutions France SAS  
3 Boulevard de Belfort  
59000 Lille  
France  
[sav@bpeholdings.fr](mailto:sav@bpeholdings.fr)